

Installation Instructions

Perimeter Gym Divider by Progressive

Caution

- ① Locate and identify all parts using the hardware list and drawings, which are packed in hardware carton. Do not discard with packing material.
 - ② DO NOT touch divider curtain while it is in motion.
 - ③ Key switch is packed in winch crate; do not discard. Divider operates on 110-120V, 60 Hz current (unless noted otherwise).
 - ④ **Key switch or controls to be in full view of both sides of curtain during operation.**
 - ⑤ Wiring diagram is located inside the door of the gray panel box on the winch system.
 - ⑥ **Do Not** unwrap cables from drum winch assembly.
- NOTE: Winch has been tested and found to be operating correctly prior to shipment.

These instructions are meant as a guide only. They do not imply any responsibility on the part of Progressive, Inc. for improper installation or faulty workmanship at the jobsite.

Hardware Installation

- ① Verify overall height and width with shop drawing to determine possible discrepancies.
- ② Attach winch support angles to winch plate and install winch per location shown on shop drawing.
- ③ Install drive pipe support assembly angle per location shown on shop drawing.
- ④ Attach drive pipe support assembly to angle with threaded rod. Adjust assembly vertically to proper height (See Fig. 1).

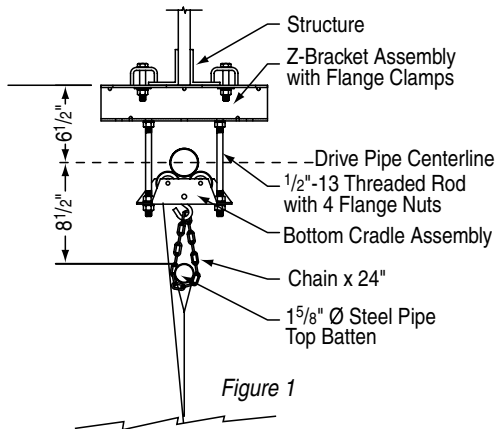


Figure 1

- ⑤ Using project specific drawings, identify and layout drive pipe so that sections are in approximate required locations.
- ⑥ Identify the 2-3/8" drive pipe sections that attach to the winch. Raise and attach to the winch output shafts using supplied couplers, key stock and set screws.

ATTENTION Always insert the key stock into the slot on the motor shaft, first then slide the coupler onto the motor shaft. **DO NOT INSERT KEY STOCK IN COUPLER FIRST.** Tighten coupler set screw tightly making sure it hits the key stock.

- ⑦ As necessary, connect drive tubes using drive pipe splices making sure to tighten set screws to expand inside of drive tubes.
- ⑧ Slide the proper number of cable guide sleeves onto drive tube
- ⑨ At corners, connect drive tube sections using universal joint assemblies (see Fig. 2)

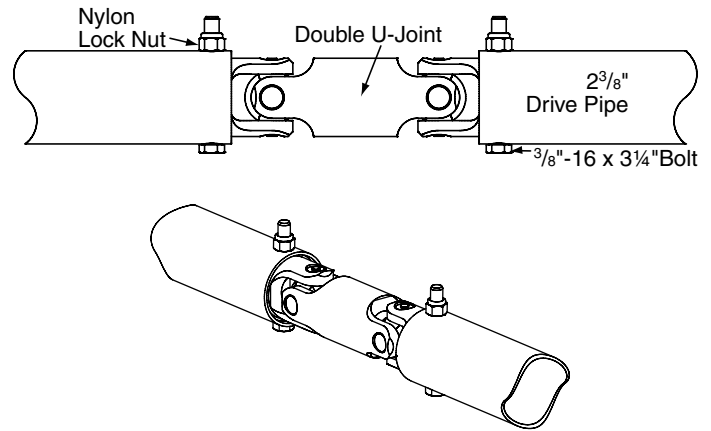


Figure 2

- ⑩ Operate the winch to determine that the drive pipes are rolling level. Make adjustments accordingly.
- ⑪ Slide the cable guide sleeves into their approximate location, which should correspond to the grommet spacings in the curtain.
- ⑫ Attach the cables to the cable guide sleeves and wrap cables around the drive pipe at least three revolutions in the same direction. Drop the loose ends of the cables to the floor.

Curtain Installation

- ① Lay the curtain out with the tops of the curtains close to the dangling cables.
- ② Slide 1 5/8" top and bottom batten tubes into pocket one section at a time, assembling as you go. Use 1 3/8" OD x 14" tube to connect section of batten tube. Splice should be installed so equal portions are inside tube that is being connected (see Fig. 3). Rotate batten to align the pre-drilled and tapped holes in batten. Secure with 5/16" x 1/4" set screws.

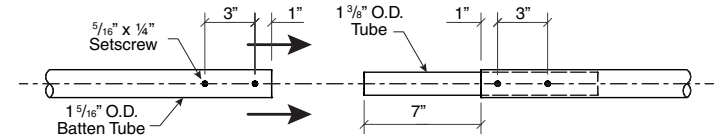


Figure 3

- ③ Make small cuts in the top pockets to attach the cables around the 1 5/8" pipes.
- ④ Operate the winch to raise the curtains into position.
- ⑤ Once raised to proper height, attach the chains from the drive pipe support assemblies around the top pipes and disconnect the cable. A small cut is required in the pocket for the chain.
- ⑥ Relocate cable guide sleeves and set distance (see Fig. 4).
- ⑦ Thread cables through grommets. Pull tight and attach around 1 5/8" pipes. A small cut is required in pocket for the cable.

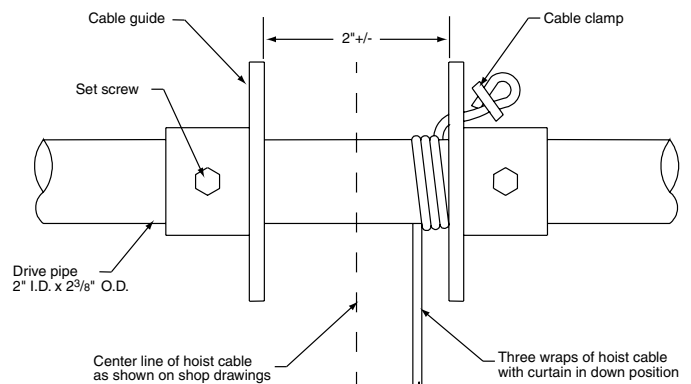


Figure 4

If you encounter any difficulties installing or servicing your Perimeter Gym Divider, call your dealer or Progressive (765) 987-7999, or fax (765) 987-7142.



Adjustments

- ① Operate curtain up to the stored position and set limit (see Fig. 5). Operate curtain to the down position and set limit.
- ② Adjust spacing between cable guide sleeves to obtain level lift of curtain.
- ③ There are two basic vertical adjustments to this divider. One is the threaded rods attaching the drive pipe support assemblies to the drive pipe support angles. The other is the chain from the drive pipe support assembly to the top of the curtain (see Fig. 1).

Please Note:

- The same number of pre-wraps must be maintained for all hoist lines.
- To increase the amount of line take-up on a given cable guide assembly, you must decrease the 2" dimension between the guides. To decrease the amount of take-up, increase the distance between cable guide flanges.
- Once the three pre-wraps are around the drive pipe, apply duct tape around cable. This will create a consistent groove for cable collection.

Limit Switch Adjustment

CAUTION: Setting the limit switches is a hazardous operation. To set the limit switches you must access the hoist while the cable is installed and observe operation to determine travel direction. Lock out and tag the electrical source prior to making any actual adjustment inside the limit switch box to prevent electric shock and/or injury due to unexpected

- ① Remove the limit box cover by loosening limit box cover retaining screw. Cover will slide to one side and hinge open. Cover is on a cable tether to prevent it from falling and damaging the curtain or floor.
- ② Carefully observe the travel of the limit switch index wheels as the winch is operated. Two travel limit switches are provided. Which becomes the upper limit switch and which becomes the lower limit switch depends on the direction of rotation of the winch drum while the curtain is being raised. This is determined by the conditions of each installation. Carefully check which switch is for the upper travel and which is for lower travel before making any adjustments. Failure to do so could result in damage to the winch or curtain system as it may over-travel if wrong switch is adjusted.
- ③ Operate hoist in one direction until desired position is reached or limit switch actuates. If necessary, move index wheel to allow more travel by following steps 4 to 8 below.
- ④ Shut off or disconnect power to winch to prevent chance of electric shock and/or injury due to unexpected winch movement.
- ⑤ Push the index bar toward the electrical box (away from the threaded rod) to disengage index wheel.
- ⑥ Rotate index wheel toward or away from the micro switch as required.
- ⑦ Release index bar ensuring that it engages index wheel.
- ⑧ Turn on or reconnect power to winch and verify travel stops at desired location and repeat steps 4 to 7 as necessary for each direction of travel.
- ⑨ Verify setting in each direction and reattach limit switch box cover.

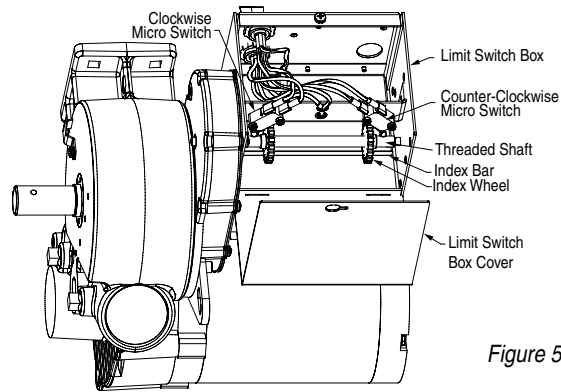


Figure 5

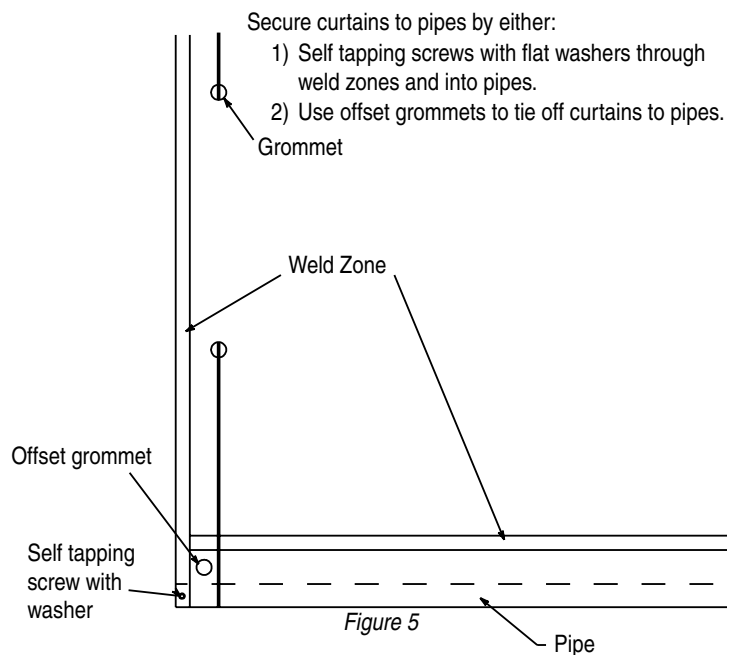
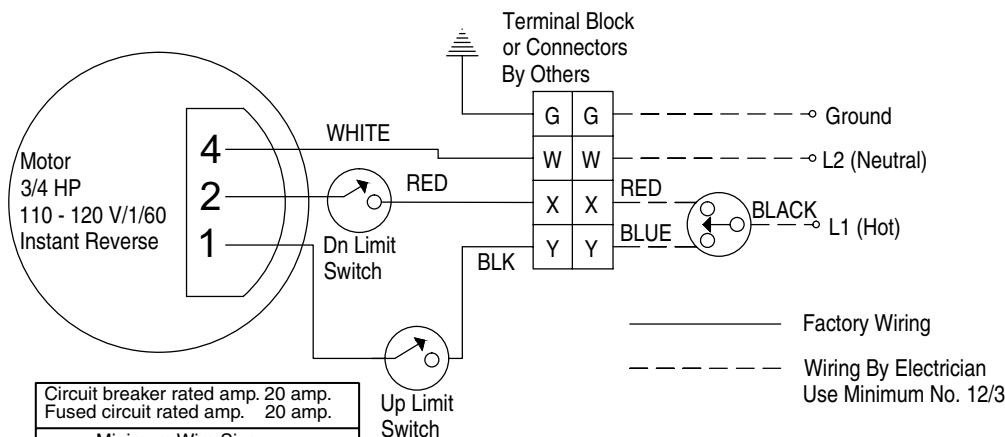
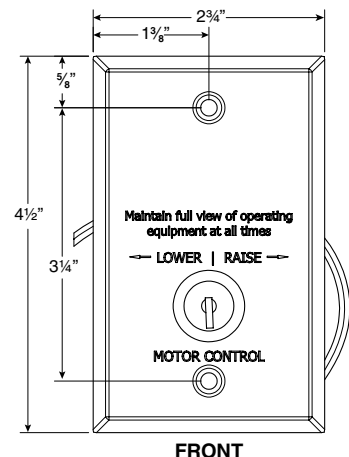


Figure 5

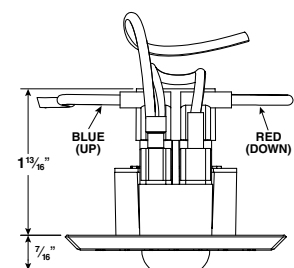
Wiring Diagram



Circuit breaker rated amp. 20 amp. Fused circuit rated amp. 20 amp.
Minimum Wire Size
90' maximum run. 12 ga.
90' to 140' run. 10 ga.
Over 140'. 8 ga.
Sizes of wall masonry boxes required for single and ganged key switches-- All boxes 2" (w) x 3 3/4" (h) x 2 1/2" (d).



FRONT



TOP