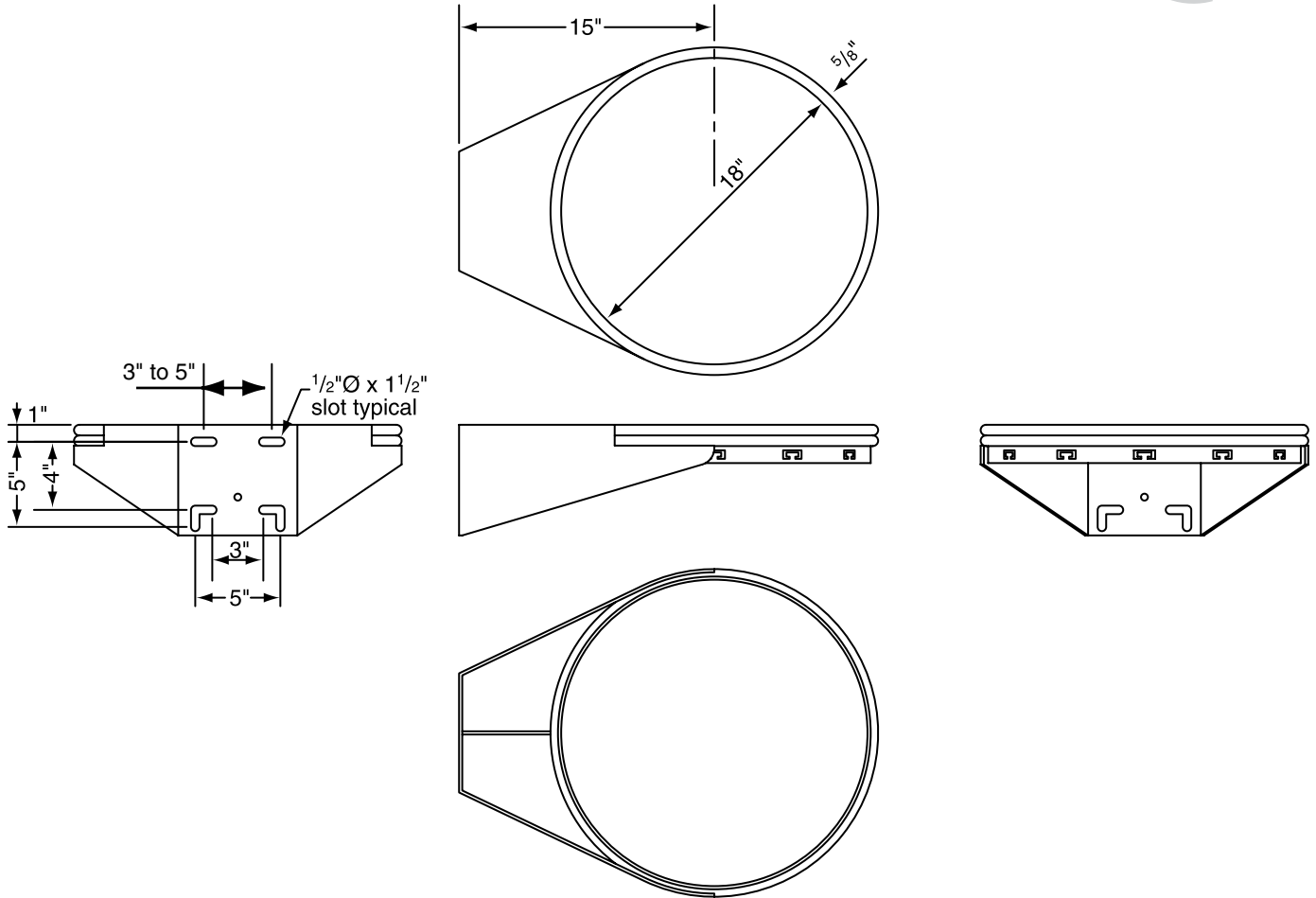


503077

Super Playground Basketball Goal
with Premium Chain Net



Specifications— 503077

Super Playground Basketball Goal with Premium Chain Net

Product Description

Goal shall consist of two $\frac{5}{8}$ " diameter high strength steel rings welded together at a minimum of six places. Back, side and center gusset plates shall be $\frac{3}{16}$ " thick and be continuously welded. The net attachment system shall be of a continuous type constructed of $\frac{3}{16}$ " x 1" steel with punched net attachment slots suitable for nylon or chain nets. Rim shall be punched to mount on any front mount backboard and shall have an orange powder coated finish. Grade 5 mounting hardware shall be included.

Goal provided with Premium Steel Net. Net shall be constructed entirely of welded link smooth chain. Chain wire diameter shall be no less than .133". Net assembly shall include no more than two non-welded links and result in rectangular net openings that reduce the risk of hand or finger entrapment. Net shall attach to the rim by means of twelve S-hooks that are no less than .188" diameter. Net and S-hooks shall be zinc plated.

Goal shall weigh approximately 30 lbs. and is covered an Unconditional Lifetime Warranty. Premium Steel Chain Net covered by 2-year limited warranty.



PROJECT: _____

ARCHITECT: _____

CONTRACTOR: _____

SUPPLIER: _____

DATE: _____ REVISED: _____