

509145

Official 72" x 42"
Rectangular
Fiberglass Basketball
Backboard



Specifications—509145

Official 72" x 42" Rectangular Fiberglass Basketball Backboard

Product Description

509145 Backboard shall be official size 72" x 42" x 1½" and shape with permanently molded in orange perimeter (3" wide) and target (2" wide) area markings.

Backboard shall be fabricated with two separate sections. Front and back shells shall be made with a glass craft spray-up system and provided with high gloss gel coated white finish at least 12 mils thick. Backboard core shall be impregnated honeycomb construction. Backboard shall be completely weatherproof for indoor or outdoor use in all climates.

Goal attachment shall be made through solid plastic blocks built into honeycomb center. Backboard shall be supplied with inserts consisting of steel T-nuts set in plastic blocks for mounting to Progressive Sports Construction Group backstops.

Factory drilled goal mounting holes (4) shall be standard 5" (horizontal) x 4" (vertical) mounting centers. Use with most Progressive Sports Construction Group goals.

Lifetime Limited Warranty

Backboard shall be covered by a Limited Lifetime Warranty when installed on a Progressive Sports Construction Group basketball backstop with Goal Brace or Direct Mount Height Adjuster. Contact Progressive Sports Construction Group to request full warranty text.

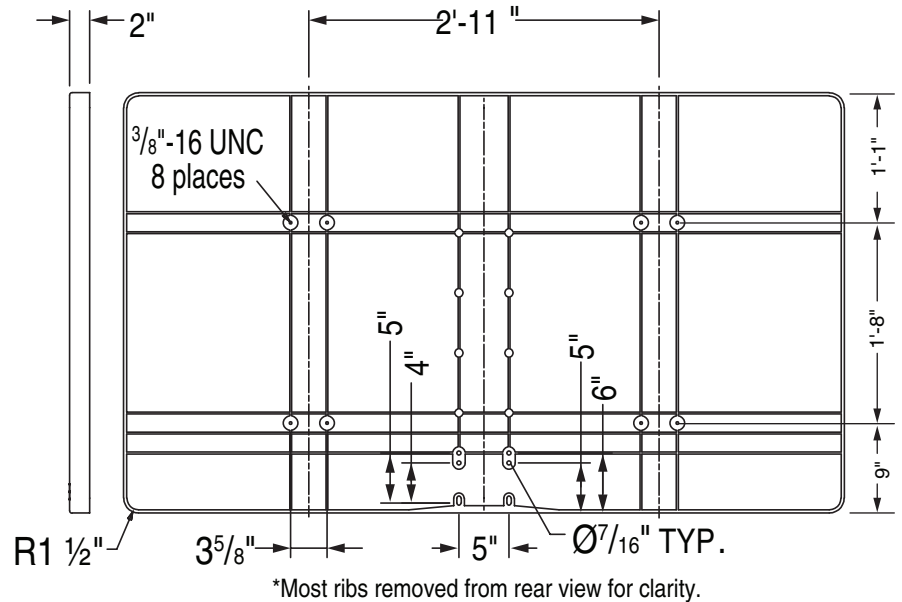
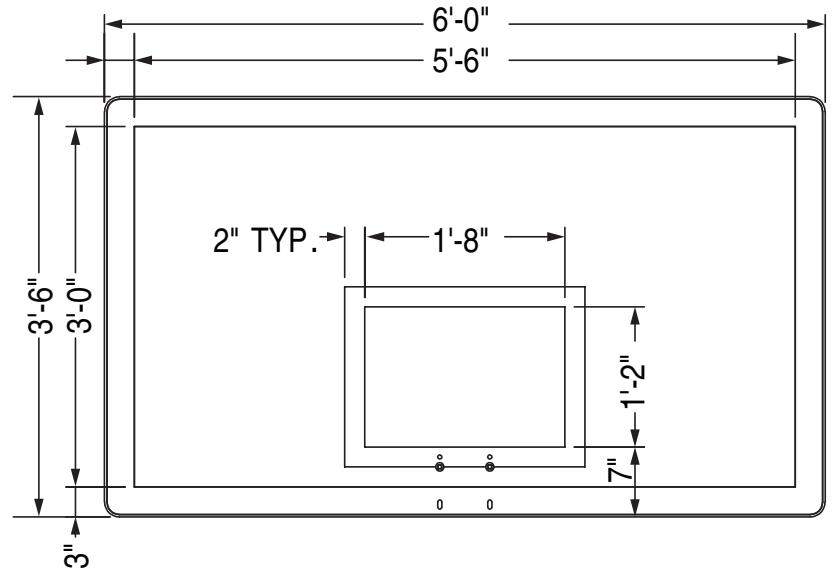
Optional 503253 Backboard Safety Padding

Padding to protect bottom and 15" up each side of the backboard to meet all NCAA, NFHS and professional requirements.

Padding of a durable neutral gray, open cell foam material providing full 2" thickness from the bottom and sides of backboard frame. Front and back surfaces of backboard frame shall be further protected by a 1" thick lip extending ¾" up from bottom and sides of backboard.

Padding shall be secured to the backboard frame by an easily applied high strength glue. Glue and brush provided.

For use with all rectangular shaped wood, fiberglass, steel and aluminum backboards.



PROJECT: _____

ARCHITECT: _____

CONTRACTOR: _____

SUPPLIER: _____

DATE: _____ REVISED: _____