

Bottom Lifting Multi-Sport Practice Cage



Specifications—Bottom Folding Multi-Sport Practice Cage

GENERAL: Cage shall be _____ H x _____ W x _____ L (standard: 10'0" high x 12'0" wide x 70'0" long), complete with frame, net, belts, cables, and electric winch for lowering to floor when in use and raising to underside of roof structure for storage. Net sides shall be automatically lifted near support structure for compact storage and eliminating the need to manually fold netting material to onto top of frame.

I. FRAME

- Frame of cage to be constructed of 1⁵/₈" x .109 wall tubing.
- Fittings to be malleable iron galvanized with case hardened set screws.
- Frame is supported by sixteen 2" wide nylon belts with D-rings spaced 18" on center.

II. OPERATION

- Winch to rotate drive pipe shall consist of a 3/4 H.P., 110-120 volt, 60 cycle, single-phase reversible capacitor motor with built-in thermal overload protection. Remote control winch operation includes integral limit switch for upper and lower limit of the cage travel. Standard key lock, three-position, momentary contact wall switch included. Switch unit shall include a polished wall plate.
- Netting and support frame shall be lifted by 1/8" diameter (7 x 19) galvanized aircraft cable with a breaking strength of 2,100 lbs. Lift cable shall pass through d-rings in nylon belts allowing belts to accordion fold. Lift cables shall also pass through links attached to the netting material on 12" centers causing the netting to lift to the support frame as the cage is folded to the support structure.

III. NETTING

- Four sides and top of cage shall be 3/4" square, knotless nylon mesh in choice of white (standard) or black.
- 3/8" polypropylene rope shall be sewn into the perimeter of each section of netting.
- Netting shall be of sufficient length to allow approximately 12' to rest on floor to prevent balls from going under net.
- Netting shall be suitable for use with baseball, softball and golf.

Please Fill In Following Measurements: (See back page)

Height from Bottom of Beam to Top of Finished Floor: _____

Distance Between Beams: _____

Slope: _____

Width of Beams: _____

Practice Cage Placement:

- Parallel to Roof Beams
- Centered Between Two Beams
 - Centered Directly Beneath Beams

Perpendicular to Roof Beams

Netting Color:

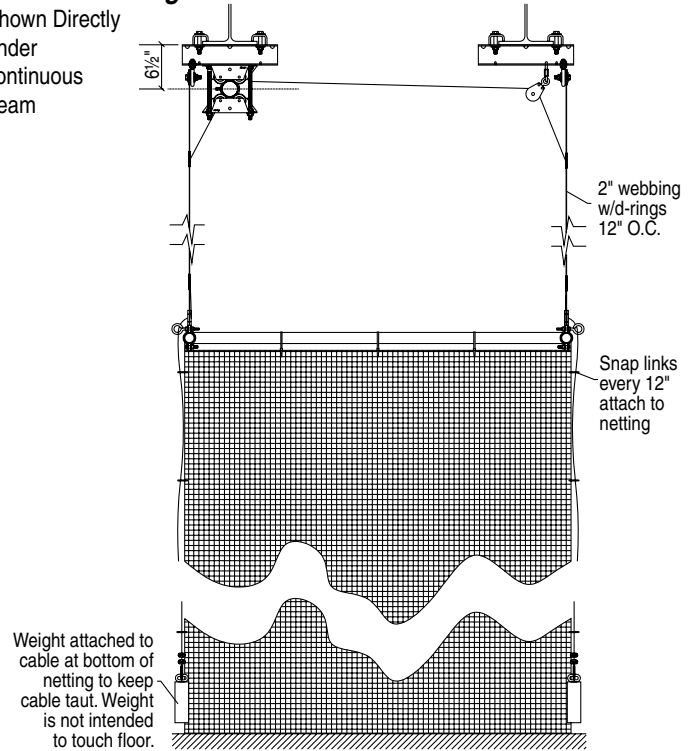
- White (standard)
- Black

Options

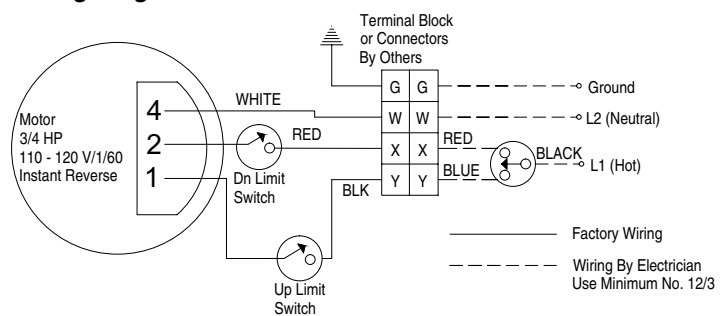
- Wireless Remote Control (see separate sheet)
- EZ Pad Group Control System (see separate sheet)
- Smart Gym Wall Touch Pad Control (see separate sheet)

Section Drawing

Shown Directly under continuous beam



Wiring Diagram



Circuit breaker rated amp. 20 amp.	
Fused circuit rated amp. 20 amp.	
Minimum Wire Size	
90' maximum run.	12 ga.
90' to 140' run.	10 ga.
Over 140'.	8 ga.
Sizes of wall masonry boxes required for single and ganged key switches-- All boxes 2" (w) x 3 3/4" (h) x 2 1/2" (d).	

PROJECT: _____

ARCHITECT: _____

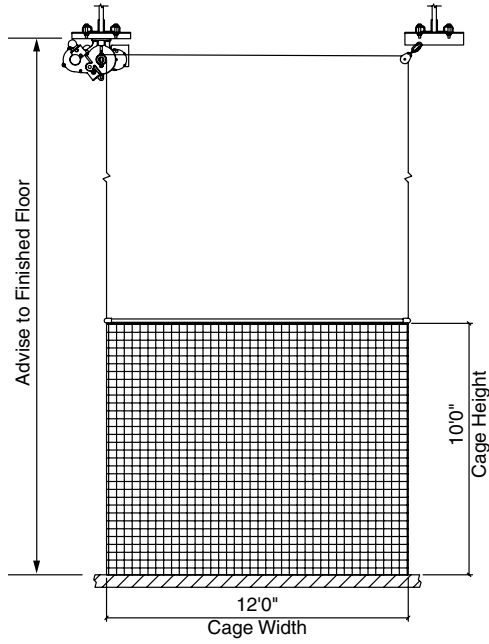
CONTRACTOR: _____

SUPPLIER: _____

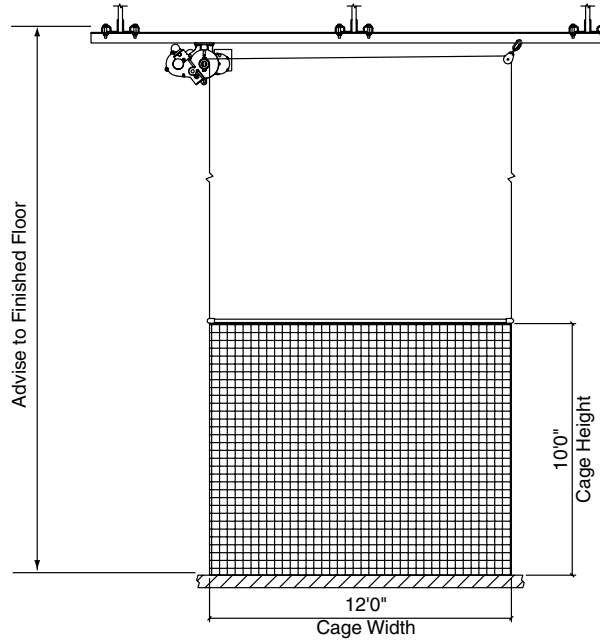
DATE: _____ REVISED: _____



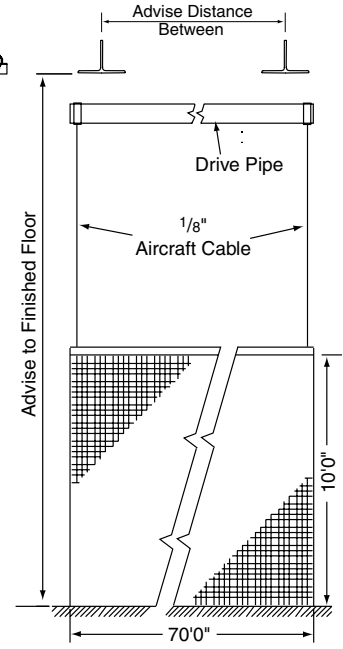
*Parallel Installation
(Directly Beneath Beam) (Typ.)*



*Parallel Installation
(Between Beams)*



Perpendicular Installation



NOTES:

SKETCH: