

Center Lifting Multi-Sport Practice Cage



Specifications—Center Lifting Multi-Sport Practice Cage

GENERAL: Cage shall be _____ H x _____ W x _____ L (standard: 10'0" high x 12'0" wide x 70'0" long), complete with frame, net, cables, and electric winch for lowering to floor when in use and raising to underside of roof structure for storage. Net sides may be folded onto top of cage for maximum clearance during storage.

I. FRAME

- Frame of cage to be constructed of 1 5/8" x .109 wall tubing.
- Fittings to be malleable iron galvanized with case hardened set screws.
- Frame is supported with 1/8" galvanized aircraft cable termination onto a rotating drive pipe.

II. WINCH and Lift System

- Drive pipe power mechanism shall consist of a 3/4 H.P., 110-120 volt, 60 cycle, single phase reversible capacitor motor with built-in thermal overload protection. The motor and load holding worm gear reducer shall provide speed reduction in the winch. Remote control operation to include integral limit switch to control the upper and lower limit of the curtain travel. Key lock, three position, momentary contact wall switch with safety delay included. Switch unit shall include a general purpose switch box wall plate.
- Netting and support frame shall be lifted by 1/8" diameter (7 x 19) galvanized aircraft cable with a breaking strength of 2,100 lbs.
- 2 3/8" Drive Pipe to be centered in Practice Cage.

III. NETTING

- Four sides and top of cage shall be 3/4" square, knotless nylon mesh netting in choice of white (standard) and black.
- 3/8" polypropylene rope shall be sewn into the perimeter of each section of netting.
- Two corners of the cage shall be sewn together; two shall be secured using zippers, allowing one long sidewall to be raised.
- Netting shall be of sufficient length to allow approximately 12" to rest on floor to prevent balls from going under net.
- Netting shall be suitable for use with baseball, softball and golf.

Please Fill In Following Measurements: (See back page)

Height from Bottom of Beam to Top of Finished Floor: _____

Distance Between Beams: _____

Slope: _____

Width of Beams: _____

Practice Cage Placement:

- Parallel to Roof Beams
- Centered Between Two Beams
- Centered Directly Beneath Beam
- Perpendicular to Roof Beams

Netting Color:

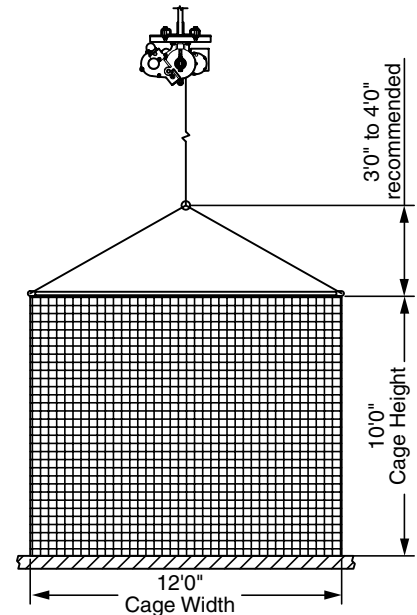
- White (standard)
- Black

Options

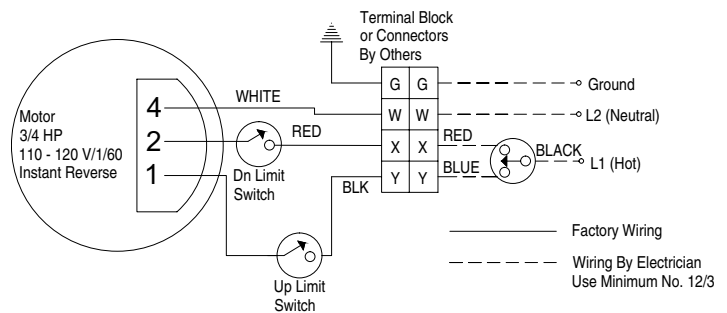
- Wireless Remote Control (see separate sheet)
- EZ Pad Group Control System (see separate sheet)
- Smart Gym Wall Touch Pad Control (see separate sheet)

Section Drawing

Shown Directly
under
continuous
beam



Wiring Diagram



Circuit breaker rated amp. 20 amp. Fused circuit rated amp. 20 amp.
Minimum Wire Size
90' maximum run. 12 ga.
90' to 140' run. 10 ga.
Over 140'. 8 ga.
Sizes of wall masonry boxes required for single and ganged key switches-- All boxes 2" (w) x 3 3/4" (h) x 2 1/2" (d).

PROJECT: _____

ARCHITECT: _____

CONTRACTOR: _____

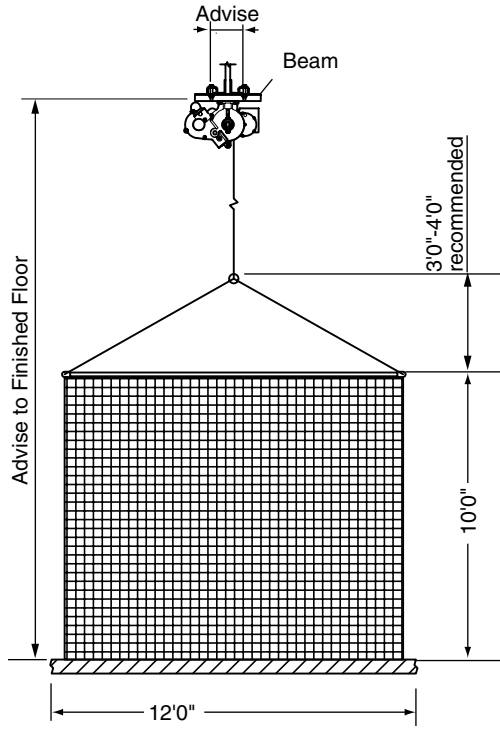
SUPPLIER: _____

DATE: _____ REVISED: _____

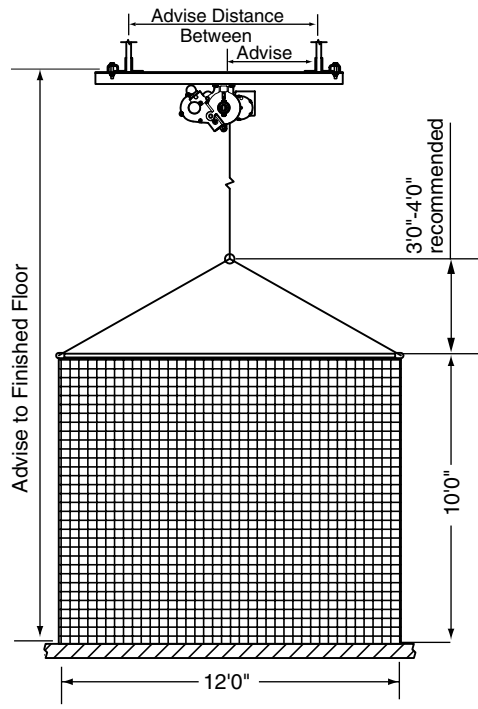


765-987-7999
866-637-5611
411 S. Pearl St.
Spiceland IN 47385 USA
www.progressivescg.com

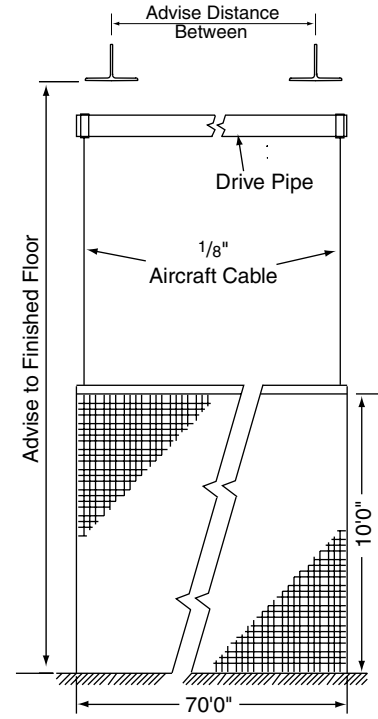
*Parallel Installation
(Directly Beneath Beam) (Typ.)*



*Parallel Installation
(Between Beams)*



Perpendicular Installation



NOTES:

SKETCH:

