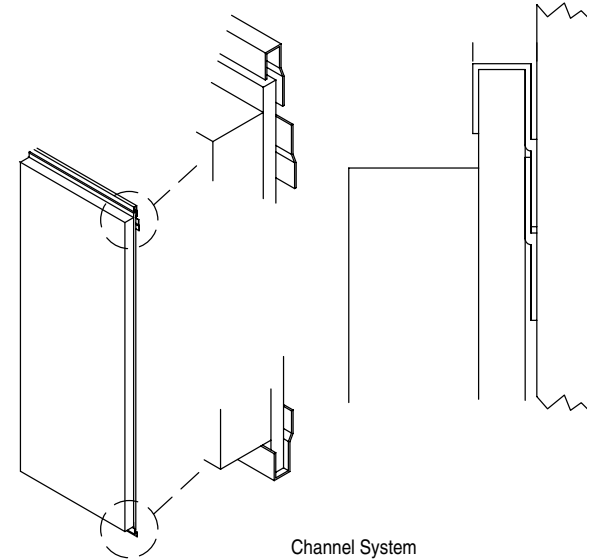
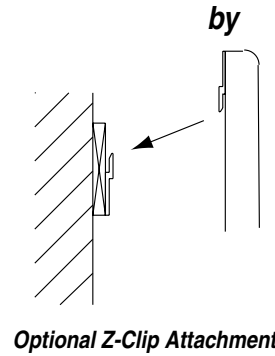
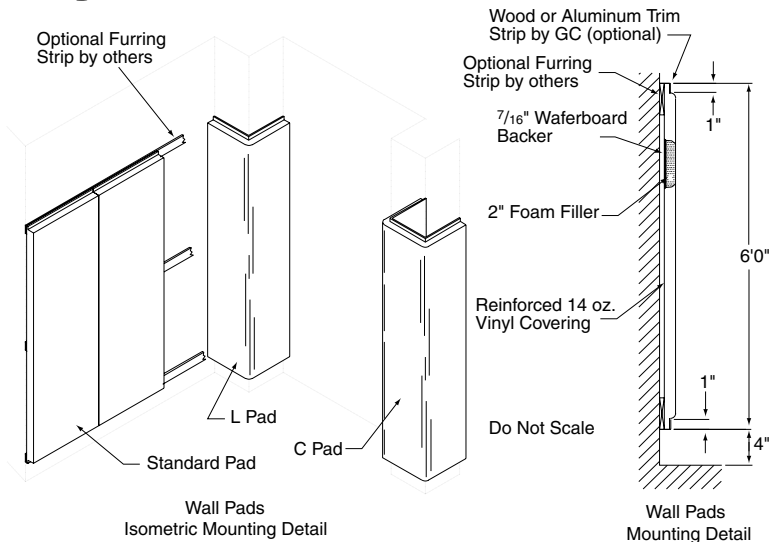


Gym Wall Pads



Selections—Wall Protection Pads

Size/Quantity

- ___ Standard size: 2' x 6' (610 x 1828 mm)
- ___ L shape: ___ x ___ x ___ (high)
- ___ C shape: ___ x ___ x ___ x ___ (high)

Pads can be custom fabricated to sizes and shapes required to accommodate structural elements, wall openings, and other project conditions. Maximum size is 4' x 8' (1.2 x 2.4 m). Supply drawing for non-rectangular pads.

Foam options

- 2" (50 mm) thick polyurethane filler (3.5 lbs. density)—**standard**
- 1½" (38 mm) thick polyurethane filler (3.5 lbs. density)
- 2" (50 mm) thick polyurethane filler (6 lbs. density)

Backer options

- Standard: 7/16" (11 mm) waferboard.

Select Color:

- | | | |
|---------------------------------------|--------------------------------------|---------------------------------|
| <input type="checkbox"/> Red | <input type="checkbox"/> Maroon | <input type="checkbox"/> White |
| <input type="checkbox"/> Dark Blue | <input type="checkbox"/> Marine Blue | <input type="checkbox"/> Purple |
| <input type="checkbox"/> Forest Green | <input type="checkbox"/> Kelly Green | <input type="checkbox"/> Orange |
| <input type="checkbox"/> Beige | <input type="checkbox"/> Yellow | <input type="checkbox"/> Grey |
| <input type="checkbox"/> Navy Blue | <input type="checkbox"/> Black | |

Select Mounting Option:

- 1" Fabric-wrapped mounting flanges at panel top and bottom—**standard**
- Z-clip at top and 1" flange at bottom
- Z-clips at top and bottom (no flanges)
- Channel System

Optional Ignition Resistant Liner

- Liner with chemical additives that absorb and react to heat by liberating moisture and chemical flame retardants; Dupont Vonar®.

LEED® Submittal Information

Credit	Measure	
Mrc4 — Recycled Content	Post Consumer Average 0.3%	Post Industrial 0%
Mrc5 — Regional Materials	Raw materials are commodity items from multiple sources so extraction point cannot be determined. Final Manufacturing/Assembly in Spiceland, IN 47385	
EQ4.4 — Composite Wood & Agrifiber Products	Urea Formaldehyde Free	

Wall Pad Specifications

General: Wall Pads as shown on plans shall be Wall Pads as manufactured by Progressive Sports Construction Group. Bidder is responsible for verification of job conditions and dimensions.

Construction: Panels shall consist of (2"1½") thick polyurethane foam bonded to a 7/16" thick waferboard backer and covered with a 14 oz. vinyl covering. Vinyl cover shall be coated polyester fabric with leather grain embossed pattern. Vinyl to have average weight of 14 oz. per square yard, breaking strength of 350 PSI, tear resistance of 65 pounds and be rated as self extinguishing in accordance with California State Fire Code F-230 and Class A Rated in accordance with requirements of NFPA-101. Vinyl to be resistant to rot, mildew, fungus and ultra-violet light and is available in Red, Dark Blue, Marine Blue, Beige, Grey, Black, Forest Green, Kelly Green, Maroon, Orange, Yellow, White, Purple and Navy Blue. Panel front and edges shall be vinyl wrapped and securely stapled to the wood backer so that the backer is not exposed on front or four sides.

Optional: Vonar® interlining. Vonar is a material developed by DuPont to reduce the likelihood of ignition of cushioning materials. Vonar has chemical additives that react to the heat of ignition source, absorbing heat and liberating moisture and chemical flame retardants. A ½" thick Class 1 fire rated plywood is also available for Progressive Sports Construction Group Wall Pads.

Pads shall meet all requirements of ASTM 2440-04, and manufacturer must be able to provide independent lab reports.

PROJECT: _____

ARCHITECT: _____

CONTRACTOR: _____

SUPPLIER: _____

DATE: _____ REVISED: _____



765-987-7999
866-637-5611
411 S. Pearl St.
Spiceland IN 47385 USA
www.progressivescg.com

Stage Mats

Size/Quantity

___ L shape: 6" x ___ x ___ (high)

Foam

1 1/2" (38 mm) thick polyethylene filler

Vinyl Covering

Solid vinyl coated polyester fabric with embossed pattern.
 Weight: 14 ounces per SY. Breaking strength: 350 PSI. Tear resistance: 65 lbs. Resistant to rot, mildew, and ultraviolet light. Flammability: Rated self extinguishing in accordance with California State Fire Code F-230 and Class A Rated in accordance with requirements of NFPA-101.

Select Color:

- | | | |
|---------------------------------------|--------------------------------------|---------------------------------|
| <input type="checkbox"/> Red | <input type="checkbox"/> Maroon | <input type="checkbox"/> White |
| <input type="checkbox"/> Dark Blue | <input type="checkbox"/> Marine Blue | <input type="checkbox"/> Purple |
| <input type="checkbox"/> Forest Green | <input type="checkbox"/> Kelly Green | <input type="checkbox"/> Orange |
| <input type="checkbox"/> Beige | <input type="checkbox"/> Yellow | <input type="checkbox"/> Grey |
| <input type="checkbox"/> Navy Blue | <input type="checkbox"/> Black | |

