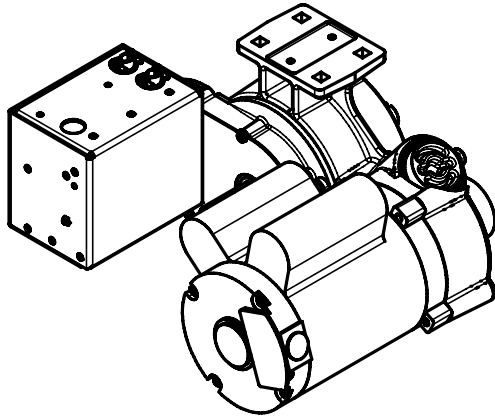


High Voltage Gym Divider/Practice Cage Winch

Electrically Operated
Gym Divider Winch

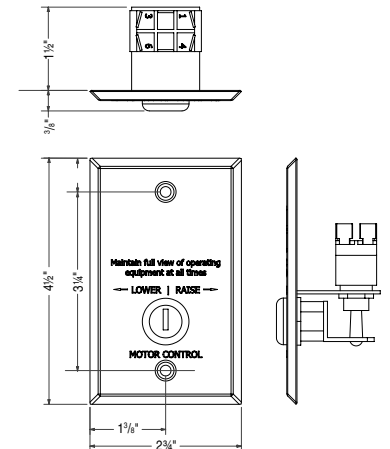
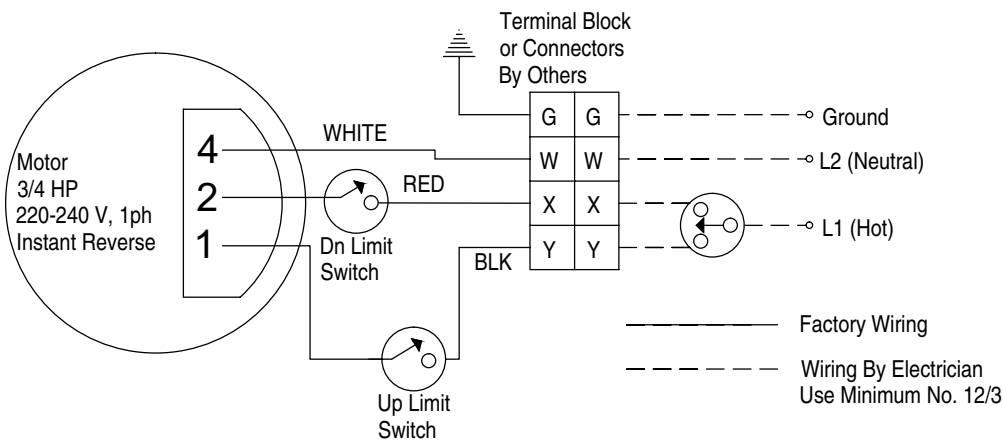


Specifications—High Voltage Gym Divider/Practice Cage Winch
Gymnasium Divider Curtain / Practice Cage drive pipe power mechanism shall be model no. (C129.023/C129.024/C129.36/C129.037) Motorized High Voltage Gym Divider/Practice Cage Winch by Progressive Sports Construction Group. Drive pipe power mechanism shall operate using of an instant reversing, 3/4 HP, 220-240V, single-phase capacitor style motor with built-in thermal overload protection. Winch to have an oil-filled, precision cast, high-strength metal alloy case that is fully sealed with precision ball bearings and premium gaskets to prevent leaks. Load holding, hardened steel gear ratio and motor combine to produce up to 2,800 inch pounds of torque. 1-inch keyed output shaft and lightweight, low-profile design allow winch to be used on many different types of drive pipe style curtains including Fold-Ups, Top-Rolls, Roll-Ups and Radius-Folds as well as practice cages. Remote control operation to include integral limit switches to control upper and lower travel. Winch is provided with three-position, momentary-contact wall switch mounted in a polished switch box cover plate. Key switch is to be located be in full view of both sides of curtain or cage during operation. Progressive Motorized High Voltage Gym Divider/Practice Cage Winches are covered by five-year warranty.

Please check all appropriate selections

- C129.037—220 Volt, Single Phase 60 Hz. Standard Divider/Practice Cage Winch (13.5 RPM—1500 Inch Pounds Torque)
- C129.024—220 Volt, Single Phase 60 Hz. High Torque Divider/Practice Cage Winch (8.125 RPM—2800 Inch Pounds Torque)
- C129.036—220 Volt, Single Phase 50 Hz. Standard Divider/Practice Cage Winch (13.5 RPM—1500 Inch Pounds Torque)
- C129.023 – 220 Volt, Single Phase 50 Hz. High Torque Divider/Practice Cage Winch (8.125 RPM—2800 Inch Pounds Torque)

Wiring Diagram



765-987-7999
866-637-5611
411 S. Pearl St.
Spiceland IN 47385 USA
www.progressivescg.com

PROJECT: _____

ARCHITECT: _____

CONTRACTOR: _____

SUPPLIER: _____

DATE: _____ REVISED: _____

Dimensions

