

# 502025

## Wall Mounted Horizontal Ladder

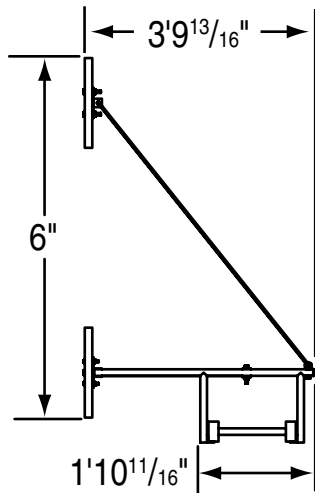
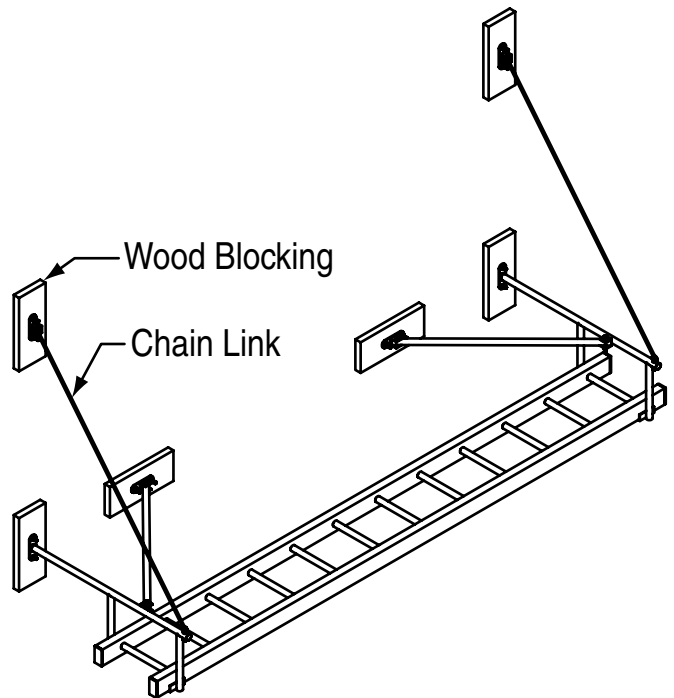


### Specifications—Wall Mounted Horizontal Ladder 502025

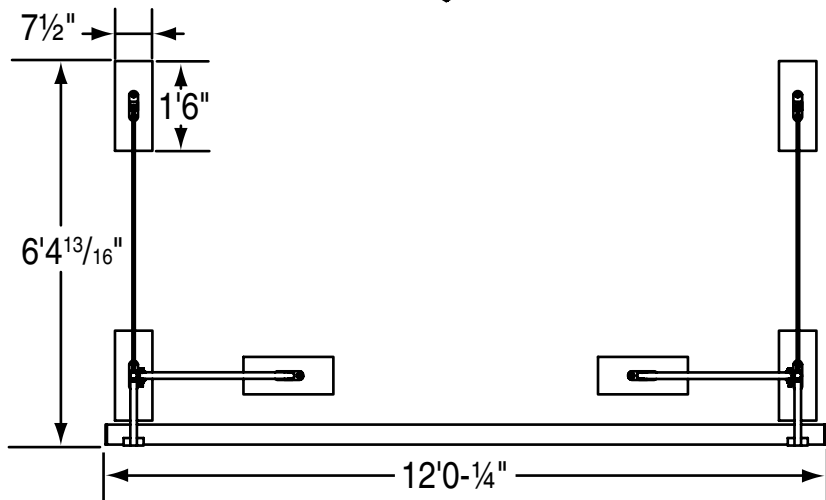
#### Product Description

Overall dimension of ladder shall be 12'0-1/4" long x 18" wide and shall extend 45<sup>13</sup>/<sub>16</sub>" from the wall. Side rails shall be constructed of rectangular steel tube and round tubular rungs are securely welded to side rails. Ladder shall be supported by welded steel frames for maximum strength and durability. Inner diagonal braces included for lateral support and heavy duty steel chains added for extreme rigidity. Extension frame shall position ladder approximately 23" from wall. Ladder height will be determined by the user and/or installer. Entire ladder assembly shall be finished with durable and attractive blue powder coat.

Assembly hardware, wood stringers and mounting instructions shall be provided. Hardware for mounting to wall shall be provided by others to meet requirements for specific wall construction.



SIDE VIEW



FRONT VIEW



765-987-7999  
866-637-5611  
411 S. Pearl St.  
Spiceland IN 47385 USA  
www.progressivescg.com

PROJECT: \_\_\_\_\_

ARCHITECT: \_\_\_\_\_

CONTRACTOR: \_\_\_\_\_

SUPPLIER: \_\_\_\_\_

DATE: \_\_\_\_\_ REVISED: \_\_\_\_\_

# 502026

## Stall Bar With Extended Top Rail



### Specifications—Stall Bar With Extended Top Rail 502026

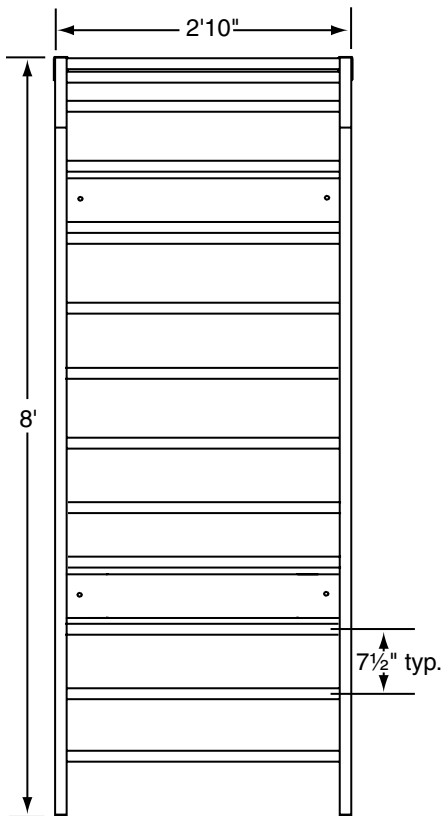
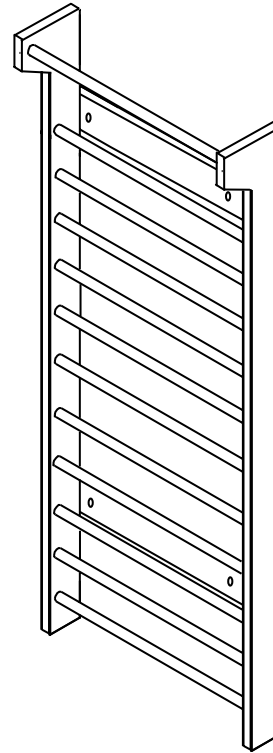
#### Product Description

Each stall bar section shall be 2'10" wide and 8' high, with the ability to be installed with other sections in a continuous row (specify number).

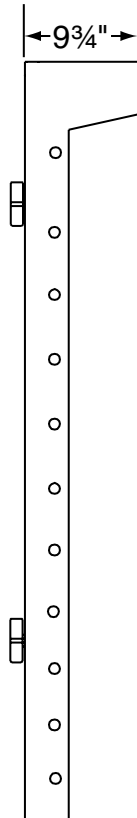
Each section shall have rungs of 1½" dia. solid oak, which will be secured to the uprights to prevent turning.

Rungs shall be finished with a clear lacquer. Unit weight 75 lbs.

Assembly hardware and mounting instructions shall be provided. Hardware for mounting wood pads to wall shall be provided by others to meet requirements for specific wall construction.



Front View



Side View

PROJECT: \_\_\_\_\_

ARCHITECT: \_\_\_\_\_

CONTRACTOR: \_\_\_\_\_

SUPPLIER: \_\_\_\_\_

DATE: \_\_\_\_\_ REVISED: \_\_\_\_\_



765-987-7999  
866-637-5611  
411 S. Pearl St.  
Spiceland IN 47385 USA  
www.progressivescg.com