

# MEC Screen

Gym Equipment Group  
Control System



## Specifications—MEC Sreen Group Control System

For group control of Basketball Backstops with Electric Winches, Electric Divider Curtains, Electric Height Adjusters and other Auxiliary Devices, specify the MEC Screen Control System by Progressive Sports Construction Group.

MEC Screen features a compact 110-120V AC control processor that is fully programmable to operate Progressive Sports Construction Group gymnasium equipment as well as other auxiliary devices provided by others. MEC Screen processor is capable of controlling more than 1,000 separate devices, and can be programmed to operate single devices or groups of multiple devices simultaneously. Progressive Sports Construction Group does not recommend groups of greater than four devices.

Devices are controlled via 110-120V AC relay panels that may be mounted at remote location(s). Each relay panel includes 8 relays. Devices that operate in an up/down or in/out cycle require two relays; devices that operate in an on/off cycle require one relay. Communication between processor and the relay panel(s) is 24V.

User interacts with MEC Screen via an ethernet graphical color touchscreen that has been custom programmed to match the project conditions. Touchscreen requires entry of four-digit security code prior to accessing control screens. Security code is fully programmable by the user. Touchscreen should be mounted in full view of equipment being operated. Standard system includes one touchscreen but additional touchscreens may be added as required.

### Progressive Sports Construction Group shall provide:

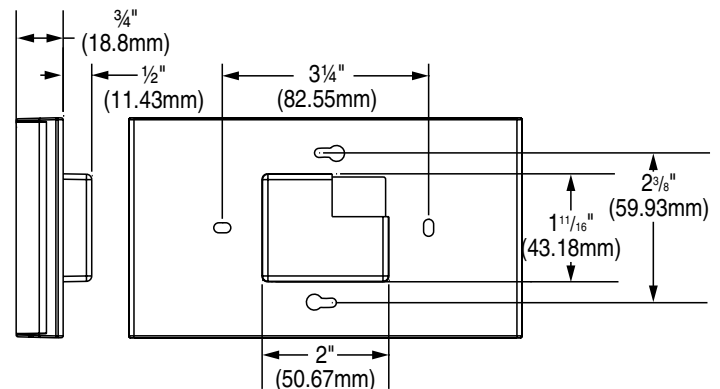
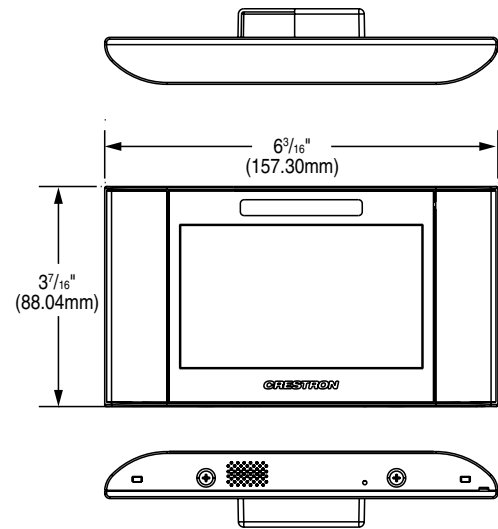
Complete control system including pre-programmed processor assembly, Touchscreen and appropriate number of Relay Panels.

### Electrical Contractor or other parties shall provide and install:

- ① All conduits complete with wire from power source to control processor, from control processor to relay panels, from relay panels to devices and from control processor to touchscreen, per wiring diagram on page 2.
- ② One horizontally mounted single gang switch box for mounting touchscreen.

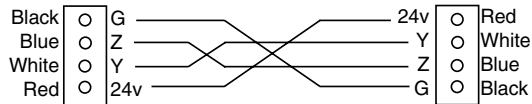
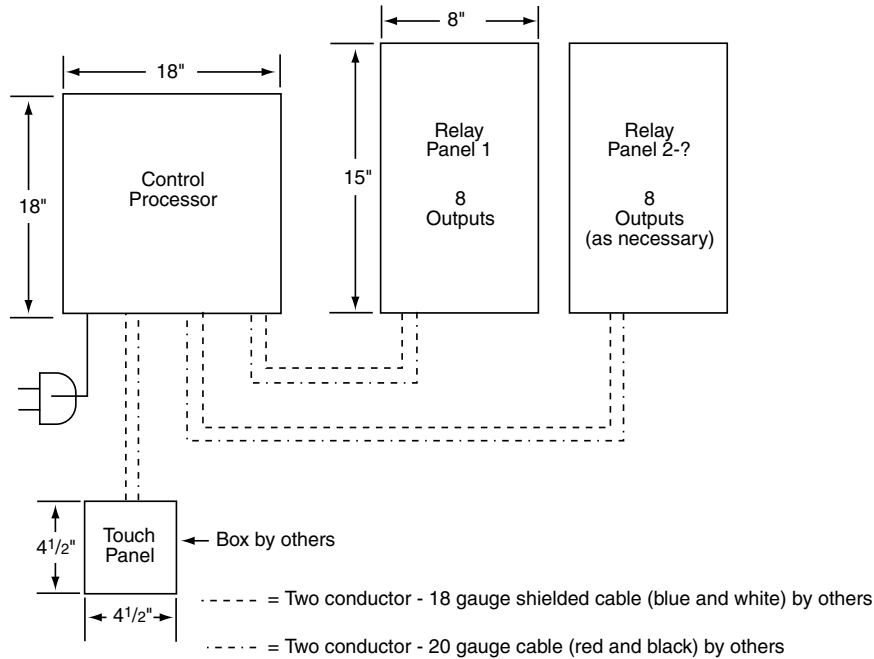
### Please Mark Appropriate Selections

- MEC Screen Processor Assembly in 18" x 18" x 6" surface mount enclosure  
Quantity: \_\_\_\_\_
- MEC Screen Color Touchscreen  
Quantity: \_\_\_\_\_
- MEC Screen Relay Panel in 15" x 8" x 2" surface mount enclosure  
Quantity: \_\_\_\_\_



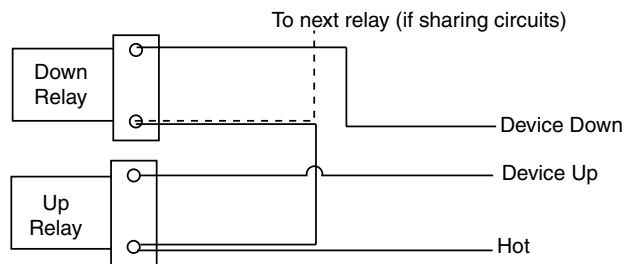
PROJECT: _____
_____
ARCHITECT: _____
CONTRACTOR: _____
SUPPLIER: _____
DATE: _____ REVISED: _____

### Wiring Diagrams



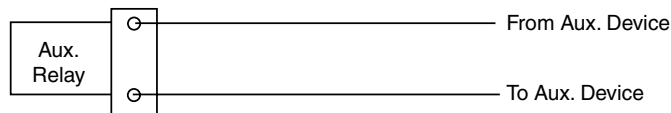
**\*\* NOTE: Up to five MEC Screen relay panels may be connected in a "Daisy Chain" fashion with the low voltage/communication wires running directly from one device to the next.**

Backstops, Divider Curtains, Height Adjusters & Auxiliary Devices  
(Bidirectional-Up/Down or In/Out)



Wire size as recommended by manufacturer of device and/or electrical codes

Auxiliary Devices  
(On/Off)



Wire size as recommended by manufacturer of device and/or electrical codes