

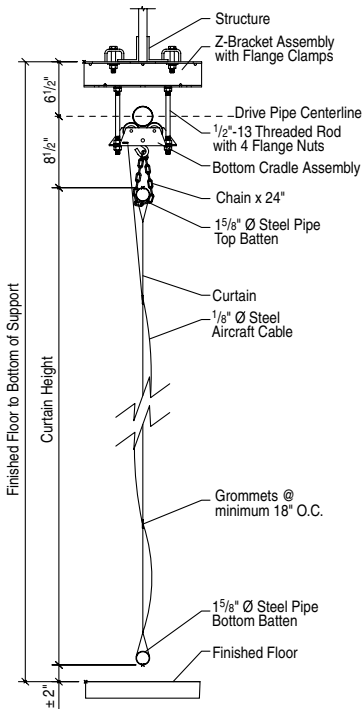
# Perimeter Divider

**Electrically  
Operated  
Gym Divider  
Curtain**



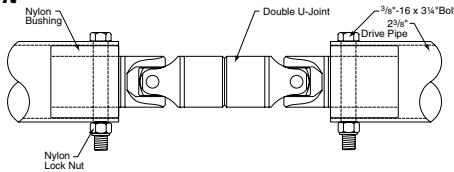
## Section Drawing

Shown directly under continuous beam



**Wiring Diagram  
on page 2**

## Universal Joint



## Please Mark Appropriate Selections Select Solid Vinyl Weight and Color

Specify Height of Vinyl: \_\_\_\_\_

- 18 oz. (circle one)
- |        |             |              |           |        |
|--------|-------------|--------------|-----------|--------|
| White  | Marine Blue | Forest Green | Yellow    | Orange |
| Purple | Black       | Red          | Dark Blue | Maroon |
| Beige  | Grey        | Navy         |           |        |

- 22 oz. (circle one)
- |     |           |      |  |  |
|-----|-----------|------|--|--|
| Red | Dark Blue | Grey |  |  |
|-----|-----------|------|--|--|

## Select Mesh Color (circle one)

- |       |     |      |        |       |      |
|-------|-----|------|--------|-------|------|
| White | Red | Blue | Yellow | Black | Grey |
|-------|-----|------|--------|-------|------|

**Width/Height/Curtain Layout: Please supply building drawings.**

## Options for Perimeter Fold Divider

- Padded bottom batten  
 Wireless remote control (see separate sheet)  
 Group Control System (see separate sheets)

## Considerations for Perimeter Divider

- Divider can be made virtually any size, but cannot be cutout for bleachers. Allow more space for walking around the ends of the divider. A minimum of 6 inches of clearance is required between vertical edges and fixed objects.
- Stored dimension, from the bottom of beam to the bottom of the divider, shall be three feet or less with a level direct attachment.

## Specifications—Perimeter Gym Divider

Gym Divider as shown on plans shall be Perimeter Divider as manufactured by Progressive Sports Construction Groups. Bidder is responsible for verification of job conditions and dimensions.

Upper section of curtain shall be avg. 9 oz. per square yard vinyl coated polyester mesh. Flammability rated as self extinguishing by the California State Fire Code and Class A Rated in accordance with requirements of NFPA-101. Color shall be chosen from standard offering as specified by the owner. Use vinyl fabric, in triple thickness and double welded to the top edge of the mesh, to form a 6" wide pocket to accommodate a 1 5/8" diameter round batten for curtain support. Lower section of curtain shall be solid vinyl coated polyester (avg. 18 oz. or 22 oz. per square yard as required). Flammability rated as self extinguishing by the California State Fire Code and Class A Rated in accordance with requirements of NFPA-101. All seams to be electronically welded with a 1" full contact weld. Outer edge hems shall be triple turned with double welds. Color shall be chosen from our standard offering.

18 oz. Divider Curtain Vinyl and Divider Curtain Mesh has achieved GREENGUARD GOLD Certification. GREENGUARD Certified products are certified to GREENGUARD standards for low chemical emissions into indoor air during product usage. For more information, visit [ul.com/gg](http://ul.com/gg).

Suspension from roof support member must be accomplished with clamp type malleable or heavy gauge stamped lugfitting furnished by the manufacturer. Hoist lines shall be 1/8" diameter steel aircraft cable (2000 lb. break strength), spaced a maximum of 10'-0" on center. Each line shall be attached to the bottom tube batten and run through grommets located approximately 18" on center. Each hoisting line shall terminate at the top of the curtain and attach to a drive pipe. The drive pipe shall rotate in drive pipe support assembly located a maximum of 10'-0" on center. Drive pipe is segmented and joined with double universal joints so one continuous section of curtain will follow the approximate radius of a running track. Hoisting mechanism shall not rely on single cable support of the divider when in stored position. Drive pipe power mechanism shall consist of a 3/4 H.P., 110-120 Volt, 60 cycle, single phase reversible capacitor motor with built-in thermal overload protection. The motor and load holding worm gear reducer shall provide speed reduction in the winch. Remote control operation to include integral limit switch to control the upper and lower limit of the curtain travel. Key lock, three position, momentary contact wall switch with safety delay included. Switch unit shall include a general purpose switch box wall plate. **The operator must make sure that all sides of curtain are under observation during operation.** Smart Gym Control System. See separate submittal sheet.

Optional Wireless Remote Control. See separate sheet for details.

## LEED® Submittal Information

Credit	Measure	
MRc4 – Recycled Content	Post Consumer Average 23.48%	Post Industrial 0%
MRc5 – Regional Materials	Raw materials are commodity items with multiple sources, so extraction point cannot be determined. Final Manufacturing/Assembly in Spiceland, IN 47385	

PROJECT: \_\_\_\_\_

ARCHITECT: \_\_\_\_\_

CONTRACTOR: \_\_\_\_\_

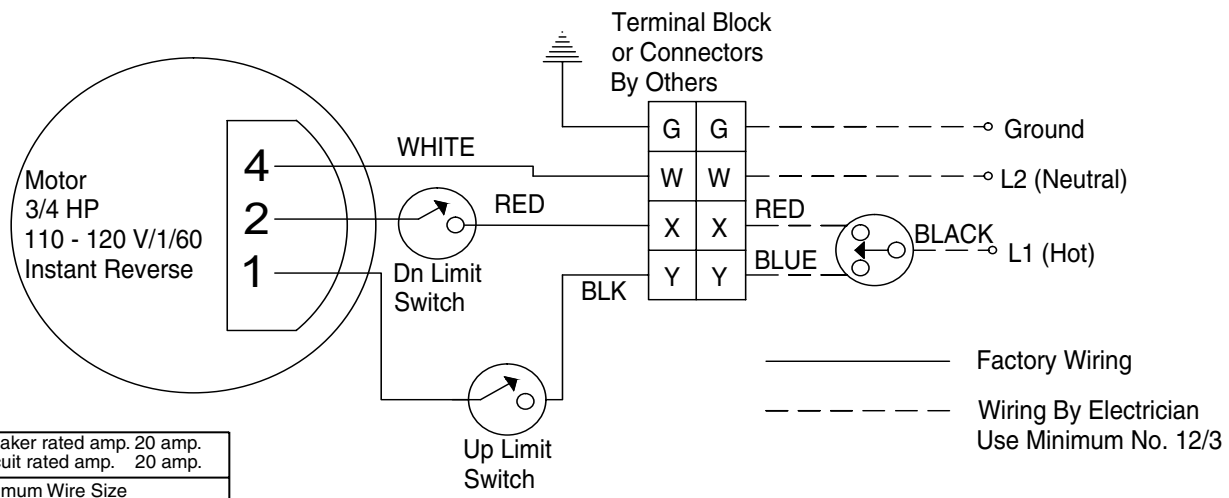
SUPPLIER: \_\_\_\_\_

DATE: \_\_\_\_\_ REVISED: \_\_\_\_\_

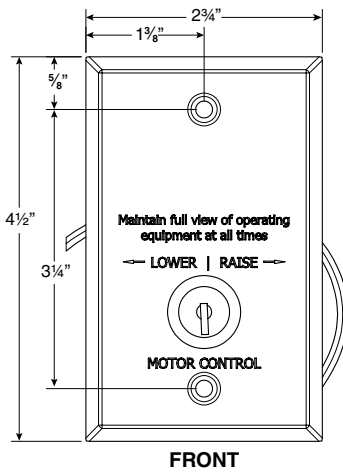


765-987-7999  
 866-637-5611  
 411 S. Pearl St.  
 Spiceland IN 47385 USA  
[www.progressivescg.com](http://www.progressivescg.com)

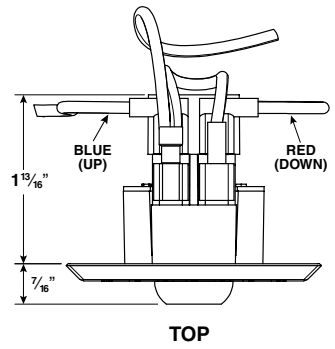
## Wiring Diagram



Circuit breaker rated amp. 20 amp. Fused circuit rated amp. 20 amp.
Minimum Wire Size 90' maximum run. . . . . 12 ga. 90' to 140' run. . . . . 10 ga. Over 140'. . . . . 8 ga.
Sizes of wall masonry boxes required for single and ganged key switches-- All boxes 2" (w) x 3 3/4" (h) x 2 1/2" (d).



## Key Switch



### Notes:

---



---



---



---

### Sketch: