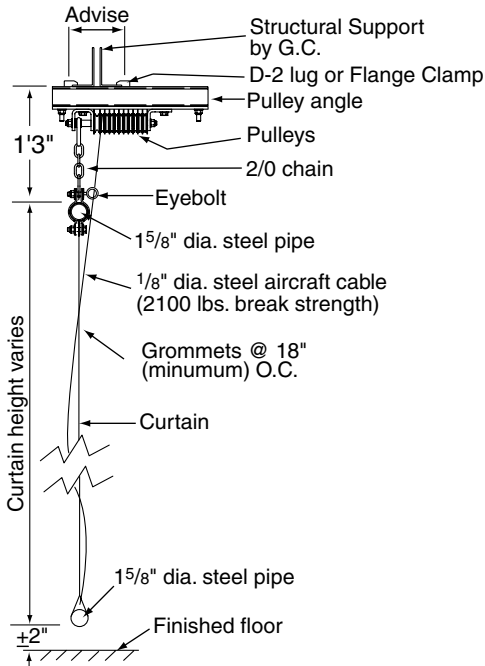


Ridge-Fold Gym Divider

Electrically Operated
Gym Divider Curtain



Section drawing shown directly under continuous beam



Specifications

GENERAL: Gym Divider as shown on plans shall be Ridge-Fold as manufactured by Progressive Sports Construction Group. Bidder is responsible for verification of job conditions and dimensions. Gym divider shall be _____ wide x _____ high (low point) x _____ high (high point) and shall be in one continuous section. Gym divider shall utilize pivot joints to fold compactly into the approximate contour of the roof. By folding into the sloped structure of the roof, maximum clearance is achieved for competition beneath the divider.

CONSTRUCTION: Lower section of curtain shall be solid vinyl coated polyester (avg. [18 oz./22 oz.] per square yard). Flammability rated as self extinguishing by the California State Fire Code and Class A Rated in accordance with requirements of NFPA-101. All seams to be electronically welded with a 1" full contact weld. Outer edge hems shall be triple turned with double welds. Color shall be chosen from our standard offering.

Upper section of curtain shall be an average of 9 oz. per square yard vinyl coated polyester mesh. Flammability shall be rated as self extinguishing by the California State Fire Code and Class A Rated in accordance with requirements of NFPA-101. Color shall be chosen from standard offering. Use vinyl fabric in triple thickness and double welded to the top edge of mesh, to form a 6" wide pocket to accommodate a 1 5/8" diameter round batten for curtain support.

Progressive 18 oz. Divider Curtain Vinyl and Divider Curtain Mesh has achieved GREENGUARD GOLD Certification. GREENGUARD Certified products are certified to GREENGUARD standards for low chemical emissions into indoor air during product usage. For more information, visit ul.com/gg. Curtain shall be hoisted by 1/8" diameter steel aircraft cable spaced maximum 10'0" on center. Each hoist line shall pass through grommets spaced a minimum of 18" on center vertically. Each hoist line shall terminate in the bottom pocket and be secured to bottom batten.

Hoist cables shall pass through heavy duty sheave assemblies equipped with roller bearings to minimize drag. All intermediate sheaves will act as idler assemblies for directional purposes of routing cables to the electric hoist system. Each hoist cable shall terminate into individual drums which are a part of the winch system. The electric hoist mechanism will be properly sized to facilitate the torque requirements of each individual project, and may be up to 1 H.P. in size. The C-Face motor will be furnished with thermal overload protection and include a rotary counting limit switch to limit the up and down travel of the divider. Key lock, three position, momentary contact wall switch included.

Key switch or controls to be in full view of both sides of curtain during operation.

Bid specifications available upon request.

Optional Smart Gym Control System. See separate submittal sheet.

Optional Wireless Remote Control. See separate submittal sheet.

LEED® Submittal Information

Credit	Measure	
MRc4 – Recycled Content	Post Consumer Average 23.48%	Post Industrial 0%
MRc5 – Regional Materials	Product Manufactured in Spiceland, IN 47385	

Please Mark Appropriate Selections Select Solid Vinyl Weight and Color

Specify Height of Vinyl: _____

- 18 oz. (circle one)
- | | | | | |
|--------|-------------|--------------|-----------|--------|
| White | Marine Blue | Forest Green | Yellow | Orange |
| Purple | Black | Red | Dark Blue | Maroon |
| Beige | Grey | Navy | | |

- 22 oz. (circle one)

Red Dark Blue Grey

Select Mesh Color (circle one)

White Red Blue Yellow Black Grey

Specify Width

Opening Width: _____

Divider Curtain Width: _____

Specify Height

Height (floor to attachment): Low Point: _____ High Point: _____

Obstructions (clarify on page two in NOTES): _____

Building Structure Relation to Curtain

- Directly under continuous beam
- Between two beams. Distance between the beams: _____
Distance from curtain to beam: _____
- Right Angle to beams. Spacing between beams: _____

Building Structure for Curtain Support

Beam flange width: _____

Beam flange thickness: _____

Options for Ridge-Fold Divider

- Wireless remote control (see separate sheet)
- Smart Gym Wall Touch Pad Control (see separate sheet)

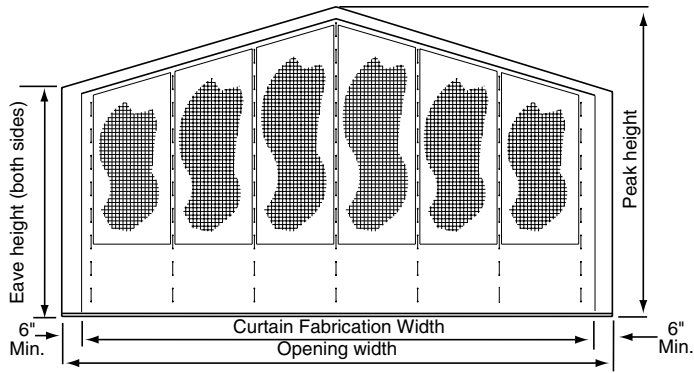
Considerations for Ridge-Fold Divider

Allow space for walking around the ends of the divider. A minimum of 6 inches of clearance is required between vertical edges and fixed objects.

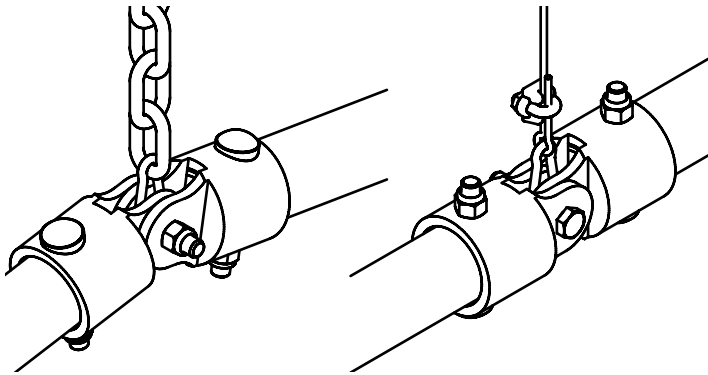


765-987-7999
866-637-5611
411 S. Pearl St.
Spiceland IN 47385 USA
www.progressivescg.com

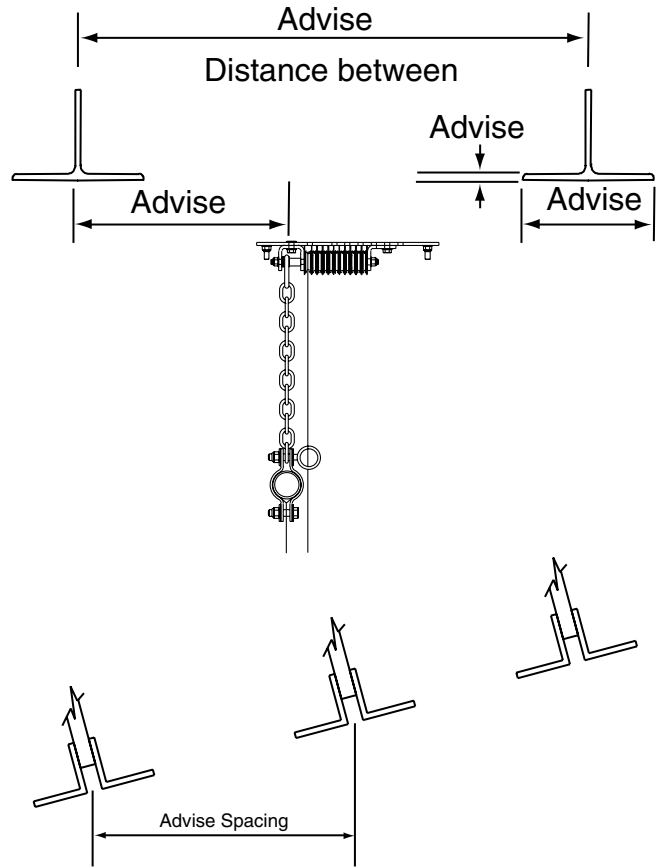
PROJECT: _____
ARCHITECT: _____
CONTRACTOR: _____
SUPPLIER: _____
DATE: _____ REVISED: _____



Pivot Joint for Ridge-Fold

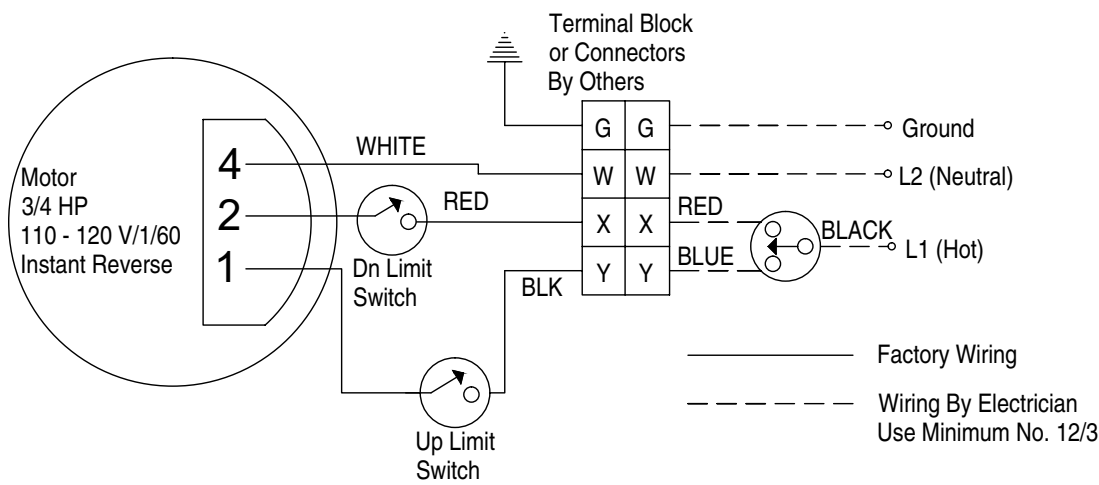


Structural Relations between two beams



NOTES:

Wiring Diagram



Circuit breaker rated amp. 20 amp. Fused circuit rated amp. 20 amp.
Minimum Wire Size
90' maximum run. 12 ga.
90' to 140' run. 10 ga.
Over 140' 8 ga.
Sizes of wall masonry boxes required for single and ganged key switches-- All boxes 2" (w) x 3 3/4" (h) x 2 1/2" (d).