

# Side Lifting Multi-Sport Practice Cage



## Specifications—Side Lifting Multi-Sport Practice Cage

**GENERAL:** Cage shall be \_\_\_\_\_ H x \_\_\_\_\_ W x \_\_\_\_\_ L (standard: 10'0" high x 12'0" wide x 70'0" long), complete with frame, net, cables, and electric winch for lowering to floor when in use and raising to underside of roof structure for storage.

### I. FRAME

- Frame of cage to be constructed of 1<sup>5</sup>/<sub>8</sub>" x .109 wall tubing.
- Fittings to be malleable iron galvanized with case hardened set screws.

### II. OPERATION

- Winch to rotate drive pipe shall consist of a 3/4 H.P., 110-120 volt, 60 cycle, single-phase reversible capacitor motor with built-in thermal overload protection. Remote control winch operation includes integral limit switch for upper and lower limit of the cage travel. Key lock, three-position, momentary contact wall switch included. Switch unit shall include a polished wall plate.
- Netting and support frame shall be lifted by 1/8" diameter (7 x 19) galvanized aircraft cable with a breaking strength of 2,100 lbs.
- 2<sup>3</sup>/<sub>8</sub>" Drive pipe to be located above one side of cage and there shall be swivel pulley assemblies to guide lifting cables along other side of cage.

### III. NETTING

- Four sides and top of cage shall be 3/4" square, knotless nylon mesh in choice of white (standard) or black.
- 3/8" polypropylene rope shall be sewn into the perimeter of each section of netting.
- Two corners of cage shall be sewn together; two shall be secured using zippers, allowing one long side wall to be raised individually.
- Netting shall be of sufficient length to allow approximately 12' to rest on floor to prevent balls from going under net.
- Netting shall be suitable for use with baseball, softball and golf.

## Please Fill In Following Measurements: (See back page)

Height from Bottom of Beam to Top of Finished Floor: \_\_\_\_\_

Distance Between Beams: \_\_\_\_\_

Slope: \_\_\_\_\_

Width of Beams: \_\_\_\_\_

### Practice Cage Placement:

- Parallel to Roof Beams
- Centered Between Two Beams
- Centered Directly Beneath Beams
- Perpendicular to Roof Beams

### Netting Color:

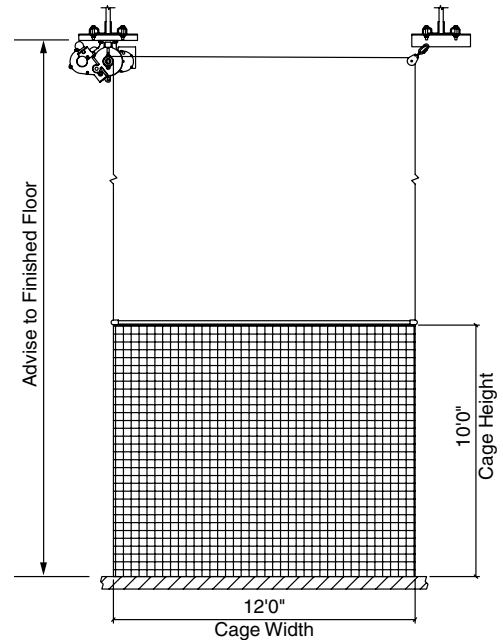
- White (standard)
- Black

### Options

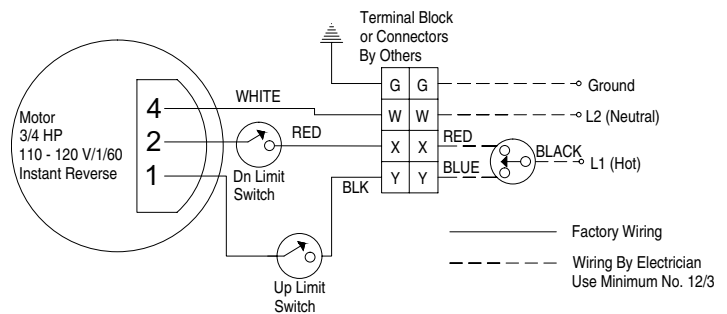
- Wireless Remote Control (see separate sheet)
- EZ Pad Group Control System (see separate sheet)
- Smart Gym Wall Touch Pad Control (see separate sheet)

## Section Drawing

Shown Directly  
under  
continuous  
beam



## Wiring Diagram



Circuit breaker rated amp. 20 amp.
Fused circuit rated amp. 20 amp.
<b>Minimum Wire Size</b>
90' maximum run..... 12 ga.
90' to 140' run..... 10 ga.
Over 140'..... 8 ga.
Sizes of wall masonry boxes required for single and ganged key switches-- All boxes 2" (w) x 3 <sup>3</sup> / <sub>4</sub> " (h) x 2 <sup>1</sup> / <sub>2</sub> " (d).

PROJECT: \_\_\_\_\_

ARCHITECT: \_\_\_\_\_

CONTRACTOR: \_\_\_\_\_

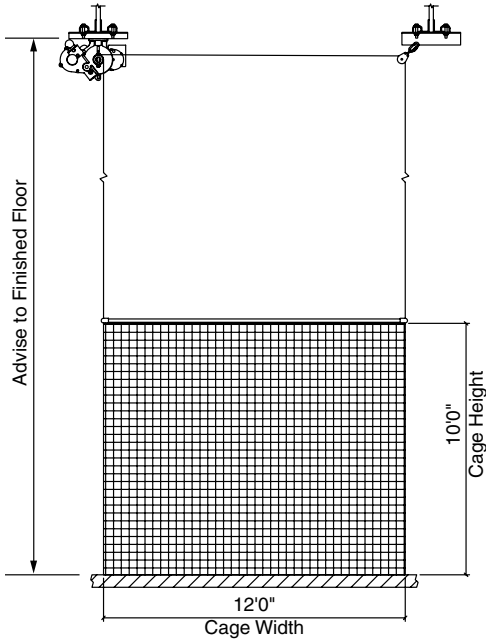
SUPPLIER: \_\_\_\_\_

DATE: \_\_\_\_\_ REVISED: \_\_\_\_\_

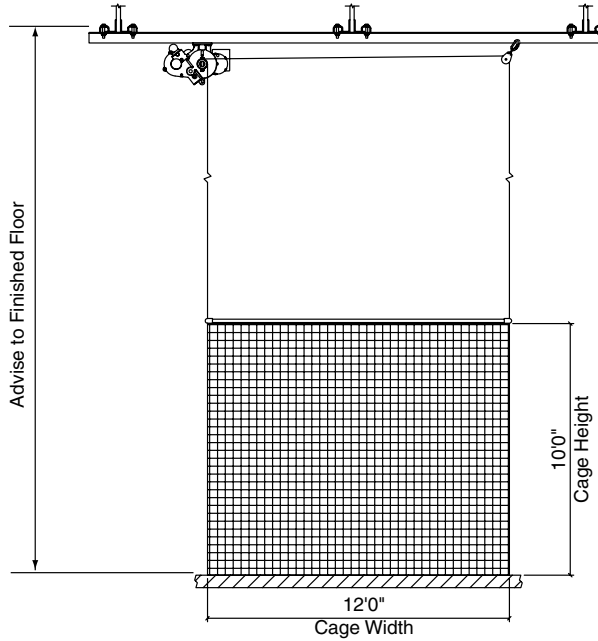


765-987-7999  
866-637-5611  
411 S. Pearl St.  
Spiceland IN 47385 USA  
www.progressivescg.com

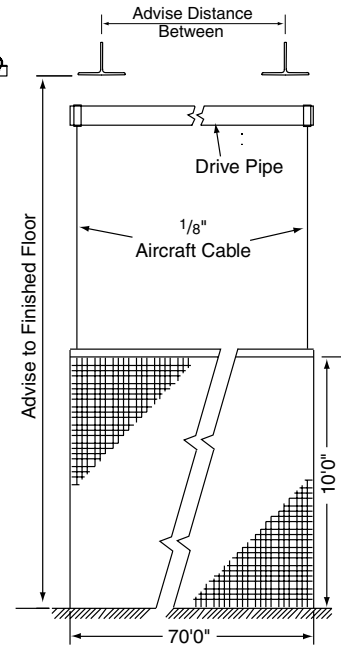
*Parallel Installation  
(Directly Beneath Beam) (Typ.)*



*Parallel Installation  
(Between Beams)*



*Perpendicular Installation*



NOTES:

---

---

---

---

---

---

---

---

SKETCH:

