

# Stationary Chinning Bars



## Specifications— Stationary Chinning Bars

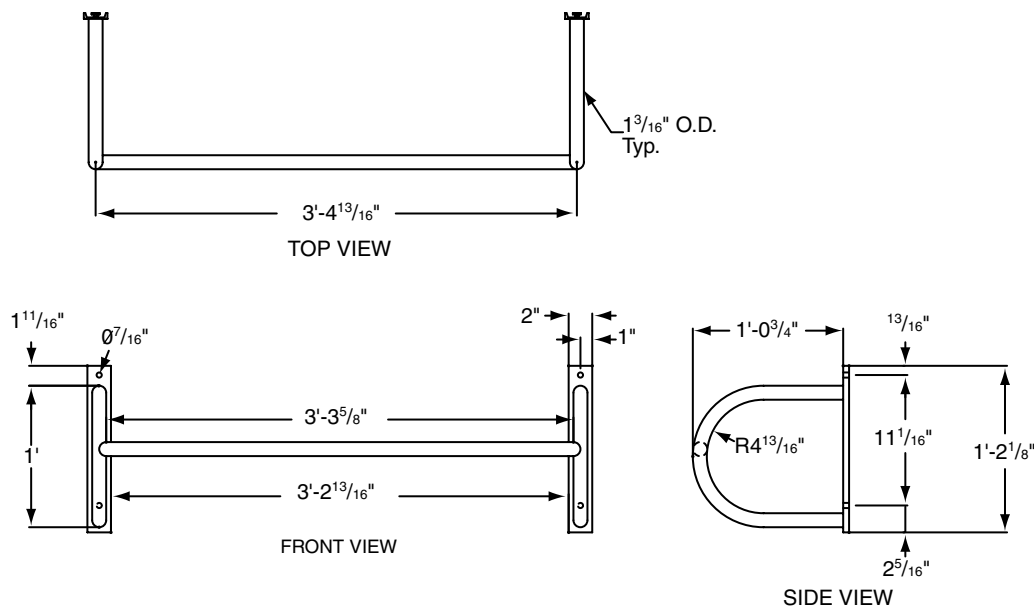
Stationary Chinning Bar shall be [#502016 Single/#502017 Dual/#502018 Triple] by Progressive Sports Construction Group. Bar assembly shall be  $1\frac{3}{16}$ " OD diameter steel tubing and have an overall length that is approximately [42"/83"/124"] long. Chinning bar assembly shall be constructed with galvanized tubing that is saddle cut and welded to formed  $1\frac{3}{16}$ " OD galvanized extension frames that extend bar  $1\frac{3}{4}$ " from attachment point. [Single bar assembly has two extension frames and is fully welded/Dual bar assembly has three extension frames and is fully welded except for one bolted connection at the center extension frame/Triple bar assembly has four extension frames and is fully welded except for two bolted connections at the center extension frames]. Extension frames are securely welded to 2" steel channel creating a chinning bar assembly that is designed for maximum strength and durability. Each channel shall include two  $\frac{7}{16}$ " diameter holes for anchoring to a sturdy wall or other structure. Chinning bar assembly shall be finished with durable and attractive gloss black powder coat.

## Please Mark Appropriate Selections

### Select Stationary Chinning Bars:

- |  |                 |
|--|-----------------|
| <input type="checkbox"/> 502016 Single | How Many: _____ |
| <input type="checkbox"/> 502017 Dual   | How Many: _____ |
| <input type="checkbox"/> 502018 Triple | How Many: _____ |

### 502016 Single Stationary Chinning Bar

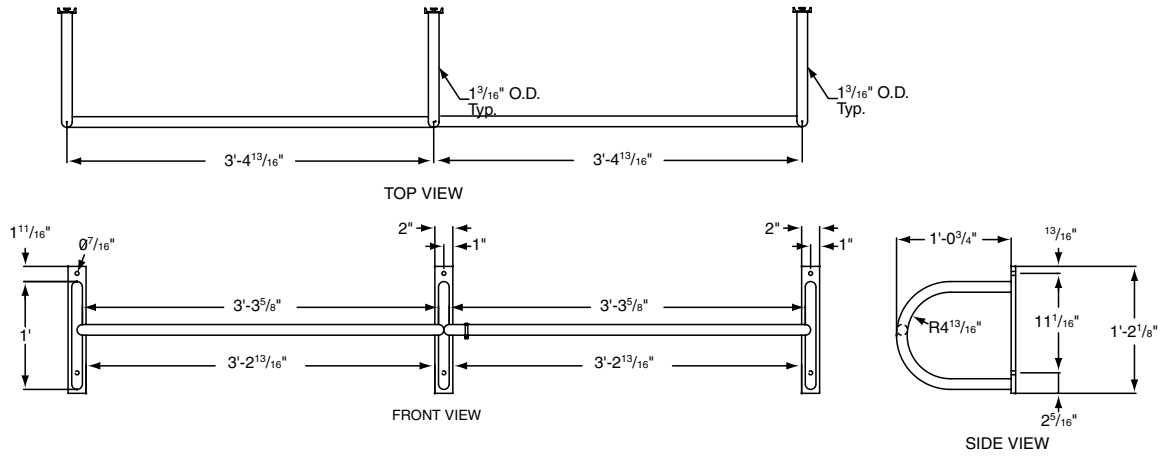


More diagrams on back



PROJECT: _____
ARCHITECT: _____
CONTRACTOR: _____
SUPPLIER: _____
DATE: _____ REVISED: _____

**502017 Dual Stationary Chinning Bar**



**502018 Triple Stationary Chinning Bar**

