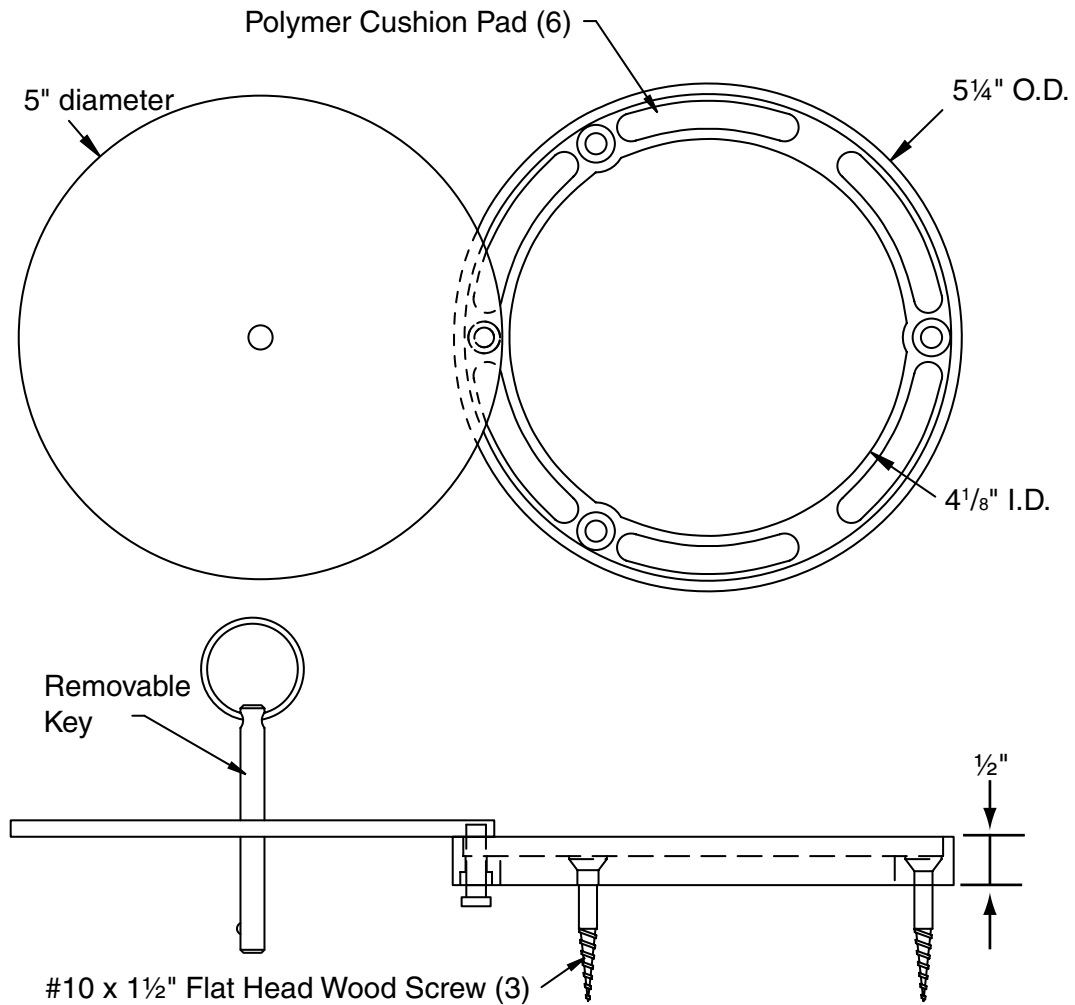


Volleyball Floor Cover Plates



501001

5" Chrome Plated Floor Cover Plate



Specifications—501001

5" Chrome Plated Floor Cover Plate Assembly

Chrome Plated Cover Plate Assembly shall be 501001 by Progressive Sports Construction Group. Chrome plated cover plate assembly shall provide for use in either synthetic or wood floors. Cover plate shall consist of a high-strength molded urethane recessed mounting flange, 5 1/4" in diameter and a 5" diameter chrome plated cover. Cover shall have a polished chrome finish. Cover shall be equipped with a swivel type retaining pin to prevent theft. A special key shall be provided for opening cover. Three #10 x 1 1/2" phillips-head wood screws shall be provided to securely mount cover plate assembly to floor. Plate shall be installed flush with playing surface.

LEED® Submittal Information

Credit	Measure	
MRc4 – Recycled Content	Post Consumer Average 36%	Post Industrial 7%



PROJECT: _____
ARCHITECT: _____
CONTRACTOR: _____
SUPPLIER: _____
DATE: _____ REVISED: _____