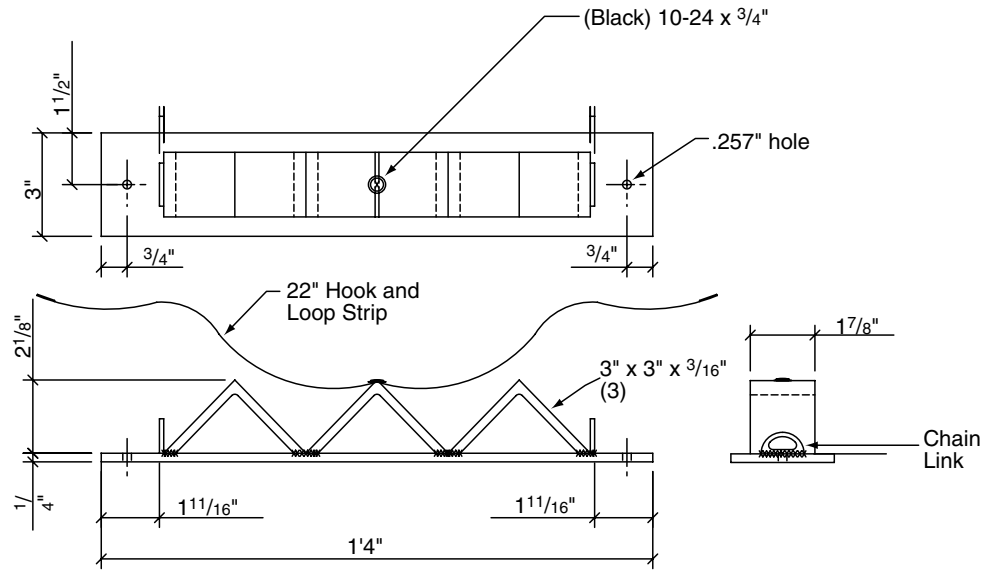


501015

Vertical Volleyball Storage Bracket



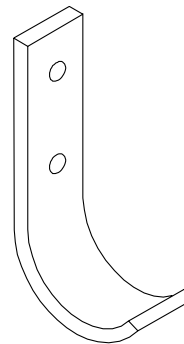
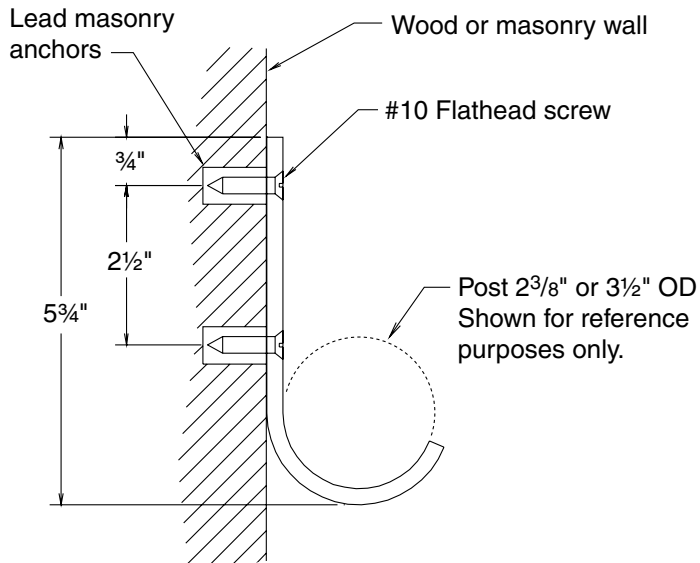
Specifications—501015 Vertical Volleyball Storage Bracket

For storage of volleyball posts in vertical position specify Progressive Model No. 501015 Vertical Storage Brackets.

Model No. 501015 Vertical Storage Brackets are constructed with from 1/4" thick flat steel and 3/16" thick angle. Posts are secured with nylon straps with hook and loop fastener. Brackets are sold in pairs. Each pair of brackets is designed to store two posts. Weldment is finished in attractive gloss black powder coat. Brackets are secured to wall with 1/4" x 2 1/2" screws.

501017

Wall Storage Hooks for 500001 and other Volleyball standards



765-987-7999
866-637-5611
411 S. Pearl St.
Spiceland IN 47385 USA
www.progressivescg.com

PROJECT: _____

ARCHITECT: _____

CONTRACTOR: _____

SUPPLIER: _____

DATE: _____ REVISED: _____