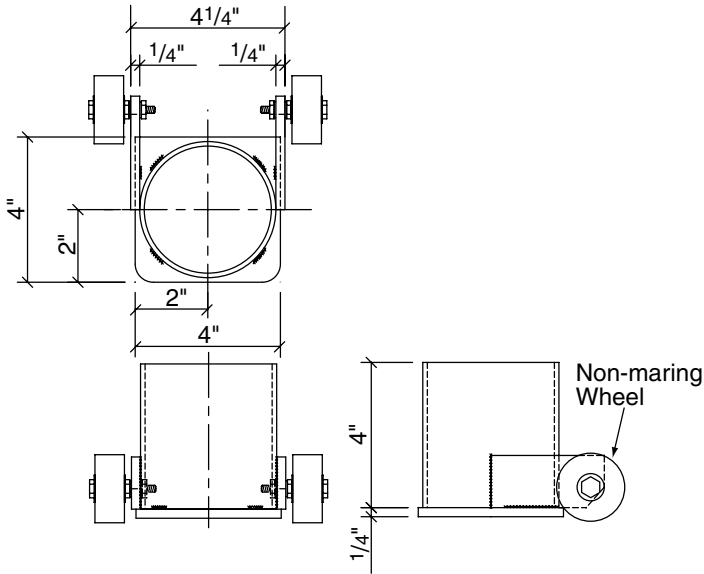


Volleyball Transporters



501023



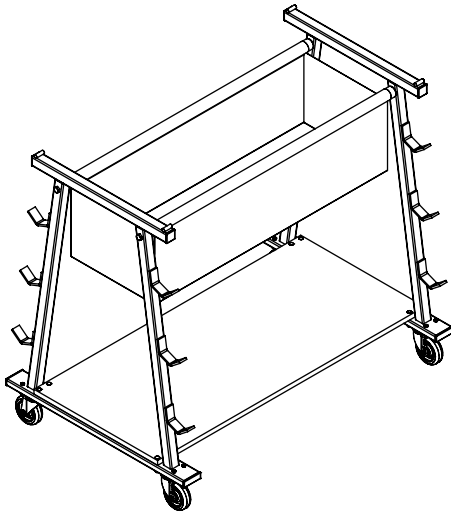
Specifications—501023 Single Volleyball Post Transporter

Product Description

For transporting a single volleyball post, specify Progressive Model No. 501023 Single Volleyball Post Transporter.

Model No. 501023 Single Post transporter is constructed with 3 1/2" ID tube welded to 1/4" thick flat plate. Transporter features two 1 1/2" non-marking nylon casters. Entire unit is finished in attractive gloss black powder coat. Post transporter makes it easy to move volleyball posts to and from storage area.

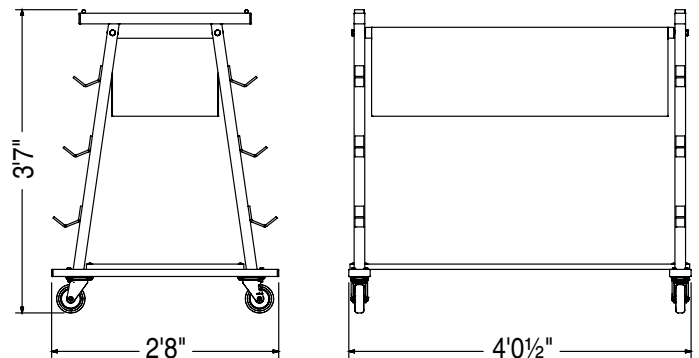
501016



Specifications—501016 Volleyball Transporter

Product Description

Heavy-Duty Volleyball Transporter shall be 501016 by Progressive Sports Construction Group. Heavy-duty transporter is designed to store entire Volleyball System (up to 6 posts, post pads and 1 judges stand). Transporter rolls on swivel casters.



PROJECT: _____

ARCHITECT: _____

CONTRACTOR: _____

SUPPLIER: _____

DATE: _____ REVISED: _____