

5014XX

Specifications—5014XX
Freestanding, Folding Judges Stand with Protective Pads

Product Description

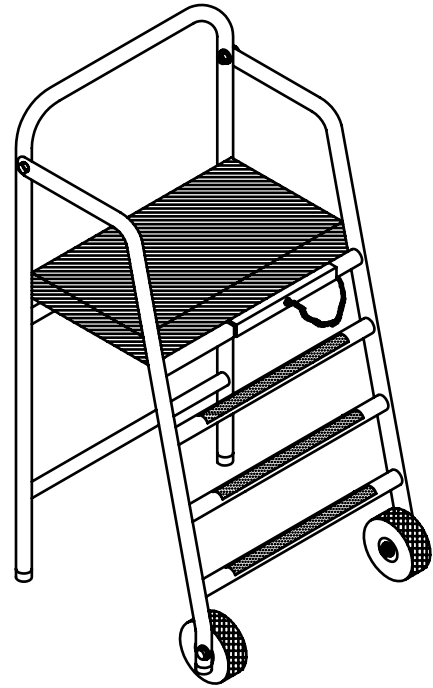
Judges Stand shall be #5014XX, by Progressive Sports Construction Group. Judges stand shall be designed to be free-standing and does not require attachment to a volleyball post for stability. Frame shall be constructed of sturdy 1⁵/₁₆" OD steel tubing with a tough and attractive gloss black powder coat finish. All four legs have protective rubber tips.

Thirty inch wide judges platform shall consist of vinyl covered plywood that is fully padded on front and sides for player safety. Platform is located 48" above playing surface. Maximum allowable load is 250 Lbs.

Platform folds flat to an overall size of 84" (h) x 30" (w) x 10" (d) for easy storage and transportation. Judges stand includes two 4" non-marking wheels for easy transportation.

Judges stand shall be supplied complete safety padding for player protection. Each leg and cross member toward the court shall have 1" thick urethane foam and 14 oz. leather-grain embossed wraps with hook and loop attachment. Standard pad color is dark blue (optional vinyl colors also available, see below).

Last two digits indicate pad color. Colors available: 01 White; 02 Marine Blue; 04 Red; 05 Beige; 06 Orange; 07 Yellow; 08 Grey; 09 Maroon; 10 Dark Blue (standard); 11 Black; 12 Purple; 13 Forest Green; 14 Kelly Green; 15 Navy Blue. Consult your Progressive Sports Construction Group dealer for details and color sample chart.



Please Mark Appropriate Selections

Select Power Volleyball System

5014XX Volleyball Judges Stand
How Many Units? _____

Note Pad Color: _____

01 White; 02 Marine Blue; 04 Red; 05 Beige; 06 Orange; 07 Yellow; 08 Grey; 09 Maroon; **10 Dark Blue (standard)**; 11 Black; 12 Purple; 13 Forest Green; 14 Kelly Green; 15 Navy Blue. Consult your Progressive Sports Construction Group dealer for details and color sample chart.

LEED® Submittal Information

Credit	Measure	
MRc4 – Recycled Content	Post Consumer Average 24.4%	Post Industrial 0%
MRc5 – Regional Materials	Raw materials are commodity items from multiple sources so extraction point cannot be determined. Final Manufacturing/Assembly in Spiceland, IN 47385.	



PROJECT: _____

 ARCHITECT: _____
 CONTRACTOR: _____
 SUPPLIER: _____
 DATE: _____ REVISED: _____