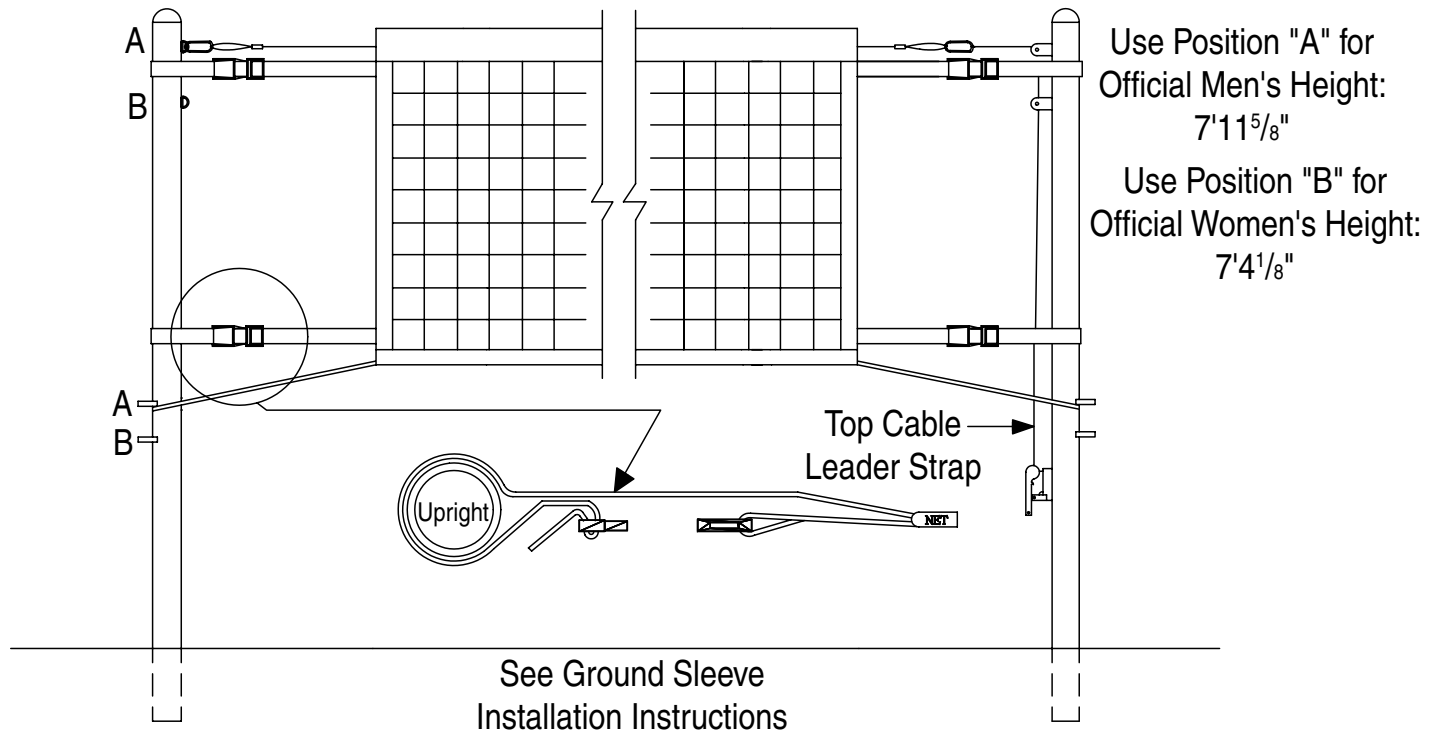


505502 Steel Outdoor Volleyball System



Net shown set for Men's Height (A)



Specifications—505502

Steel Outdoor Volleyball System

Product Description

Outdoor volleyball system shall be Model No. 505502 Championship Steel Outdoor Volleyball System by Progressive Sports Construction Group.

System shall consist of one winch upright and one anchor upright and shall be supplied with a tensioning winch and strap. Uprights are provided with 3.570" I.D. rigid aluminum x 36" deep ground floor sleeves with cast aluminum top caps for semi-permanent installation.

Uprights shall provide men's and women's net height settings by means of twin welded roller tabs on the winch upright and twin welded "D"-rings on the anchor end. Uprights shall be constructed of 3½" O.D. x .187" w galvanized steel tubing that is finished with a durable blue powder coat. Uprights shall have attached rubber feet. All hardware shall be zinc-plated

Tensioning system shall consist of a ratchet-type winch and include an attached 2" high strength nylon web tensioning strap. Order Progressive model 500014 Collegiate Net separately.

Please Mark Appropriate Selections

Select Power Volleyball System

505502 Steel Outdoor Volleyball System

How Many Units? _____

765-987-7999
866-637-5611
411 S. Pearl St.
Spiceland IN 47385 USA
www.progressivescgroup.com

PROJECT: _____

ARCHITECT: _____
CONTRACTOR: _____
SUPPLIER: _____
DATE: _____ REVISED: _____