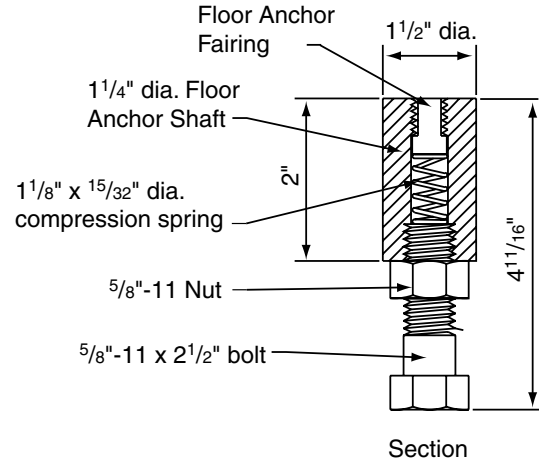
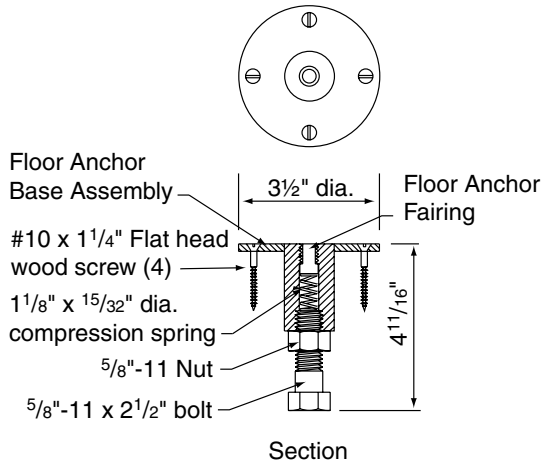


Volleyball Floor Anchors



501011 Floor Anchor—For Wood Floor Over Concrete

Product Description

Specify _____ floor anchors, manufactured by Progressive Sports Construction Group. One piece floor anchor shall be chrome-plated and designed for grout-in installation.

Anchors shall have spring-loaded flush fairings with standard 1/2"-13 NC threads.

Model 501011 shall be used for wood over concrete floors.

501012 Floor Anchor—For Concrete or Tile Floor

Product Description

Specify _____ floor anchors, manufactured by Progressive Sports Construction Group. One piece floor anchor shall be chrome-plated and designed for grout-in installation.

Anchors shall have spring-loaded flush fairings with standard 1/2"-13 NC threads.

Model 501012 shall be used for tile, concrete or rubber floors.



PROJECT: _____
ARCHITECT: _____
CONTRACTOR: _____
SUPPLIER: _____
DATE: _____ REVISED: _____