

# Volleyball Net Winders

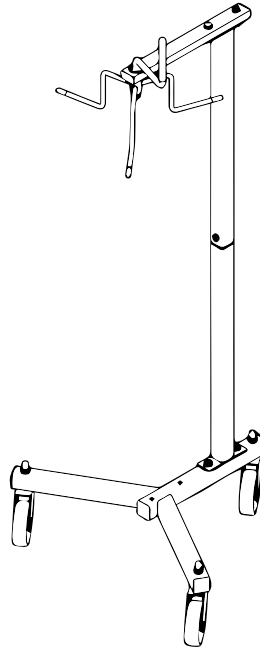


## Specifications—Volleyball Net Winders

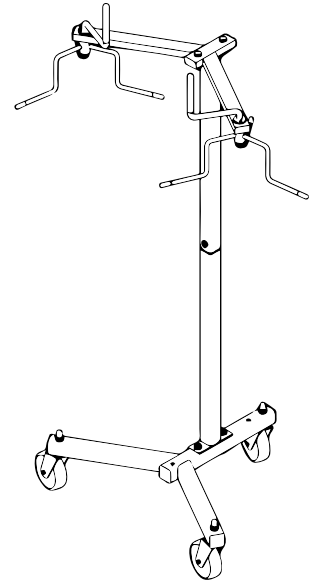
Volleyball net storage system shall be (501041-Single/501042-Double/501043-Triple) Net Winder by Progressive Sports Construction Group. Progressive Net Winders are designed to allow users to keep volleyball nets clean, net and tangle free during storage. Net Winders are constructed of rigid 1½" square tubing, are freestanding and easy to move easily on three 4" non-marking swivel casters. Net winder is finished with attractive blue powder coat. Net head band is attached to rotating net hook and is rolled up using crank handle. Net storage bags included for additional protection.

### Choose Model

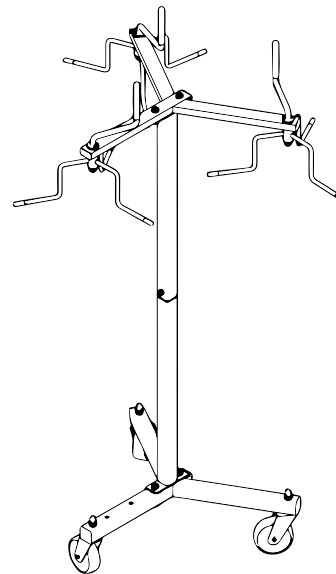
- 501041 – Single Net Winder
- 501042 – Double Net Winder
- 501043 – Triple Net Winder



501041 – Single Net Winder



501042 – Double Net Winder



501043 – Triple Net Winder



PROJECT: \_\_\_\_\_

ARCHITECT: \_\_\_\_\_

CONTRACTOR: \_\_\_\_\_

SUPPLIER: \_\_\_\_\_

DATE: \_\_\_\_\_ REVISED: \_\_\_\_\_