

Wall Pad Cutout Trim Kit



Specifications—Wall Pad Cutout Trim Kit

Wall Pad Cut-Out Trim Kit provides for a neat and clean answer to accessing receptacles and wall switches on surfaces that are to be padded. Wall Pad Cut-Out Trim Kit is constructed of flexible a flame resistant molded urethane material. Inserts are easily installed in field cut-outs and secured with adhesive and staples.

504690/504691—3" x 5" Wall Pad Cut-Out

3" x 5" Wall Pad Cut-Out Kits fit Single Gang openings. Wall Pad Cut-Out Trim Kit available in grey (part no. 504690) or black (part no. 504691).

504700/504701—7" x 7" Wall Pad Cut-Out

7" x 7" Wall Pad Cut-Out Kits fit Dual Gang openings as well as standard fire alarm pull stations. Wall Pad Cut-Out Trim Kit available in grey (part no. 504700) or black (part no. 504701).

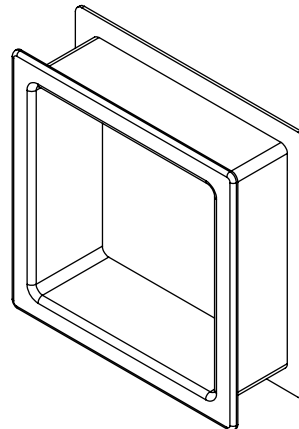
Please Mark Appropriate Selections

Select Wall Pad Cutout Trim Kit:

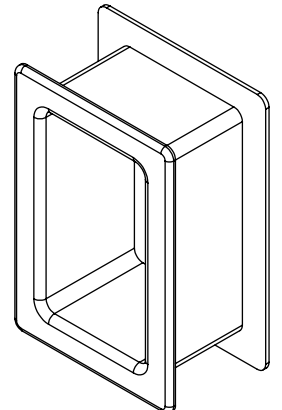
- 504690 3" X 5" Grey How many? _____
- 504691 3" X 5" Black How many? _____
- 504700 7" X 7" Grey How many? _____
- 504701 7" X 7" Black How many? _____

Installation Instructions

- ① Locate cut-out on back side of pad and carefully mark the inside dimensions of cutout being used so the receptacle, switch, etc. are located at the center.
- ② Using a keyhole saw or jig-saw, cut along marked lines with saw blades and remove backer board. When cutting backer board, insure you remove marked lines with saw to allow for wall thickness of cut out kit.
- ③ Using a electric carving knife or sharp utility knife, carefully cut and remove the foam using the opening in the backer board as a guide. Use caution to not cut vinyl.
- ④ X-cut vinyl from corner and pull points to backer and staple.
- ⑤ Insert Wall Pad Cut-out Trim Kit into opening with the smaller beveled edge facing the front. Apply adhesive to the inside of the Wall Pad Cut-Out Kit Channel to adhere it to vinyl and foam and staple rear flange to backer board.



7" x 7" Wall Pad Cut-Out



3" x 5" Wall Pad Cut-Out

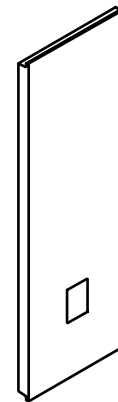


Figure 1

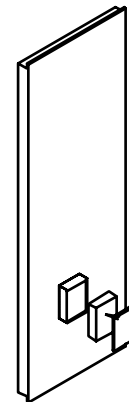
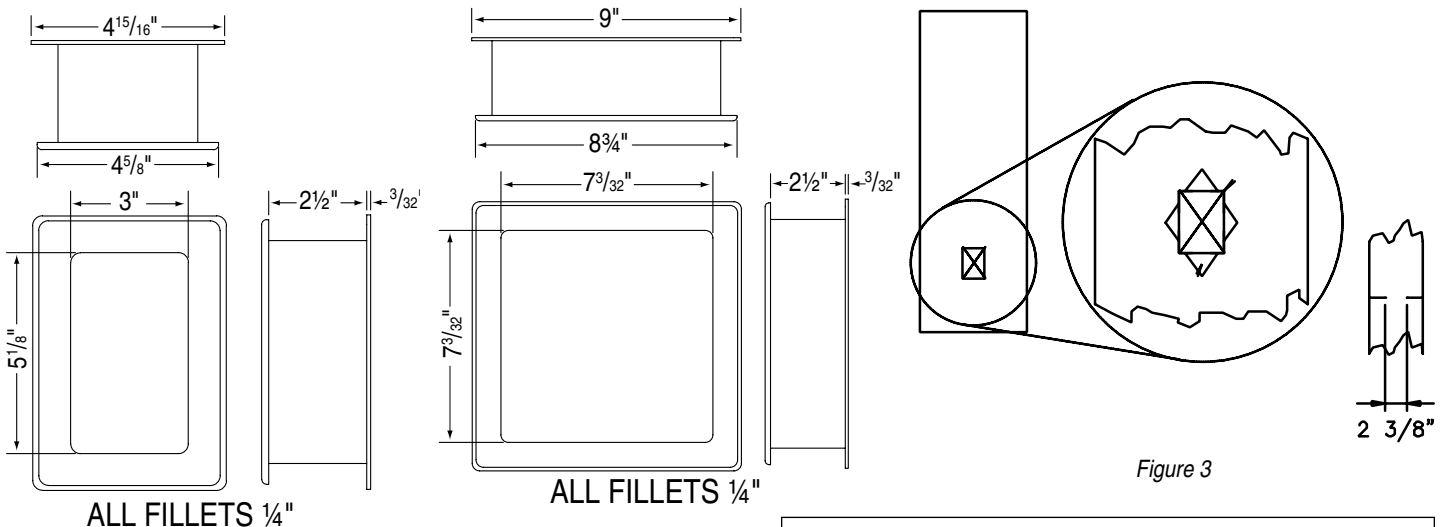


Figure 2



PROJECT: _____

ARCHITECT: _____

CONTRACTOR: _____

SUPPLIER: _____

DATE: _____ REVISED: _____